



RBCP – Roof Boundary Clip with Prongs

The newest version of the RBC, the RBCP, features prongs on the blocking side, allowing it to be pre-attached to the truss blocking that is supplied with the truss package. The RBCP has been tested on solid and vented blocks with up to two holes and has the same capacity as the RBC installed with nails. This application not only takes less labor to install, it also helps ensure proper placement on the blocking every time. The RBCP can be used on wood or masonry walls and will handle roof pitches from 0:12 to 12:12.

MATERIAL: 20 gauge **FINISH:** Galvanized

INSTALLATION (Pre-Assembled Block with RBCP):

- Field bend to desired angle (one time only)
- Use all specified fasteners
- Can be installed with up to a 3/4" gap between plates and blocking

The RBCP installed to blocking resists rotation and lateral displacement of rafter or truss.

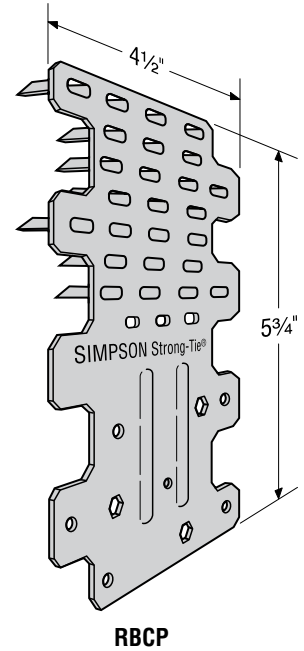
Code references:

- IRC 2003 & 2006, R802.8 Lateral Support
- IBC 2003 & 2006, 2308.10.6 Blocking
- UBC 1997, 2320.12.8 Blocking

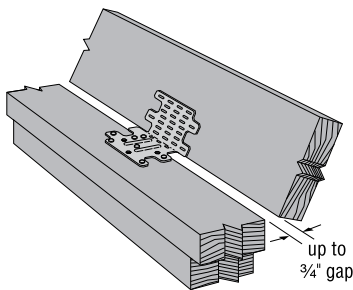
Allows proper boundary nailing of sheathing.

Code references:

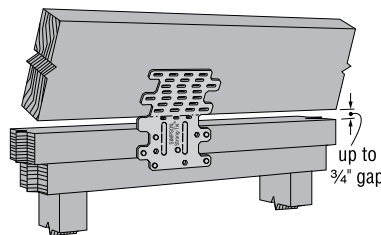
- IRC 2003 & 2006, Table R602.3(1), footnote i
- IBC 2003 & 2006, 2305.1.4 Shear Panel Connections
- UBC 1997, 2315.1 General



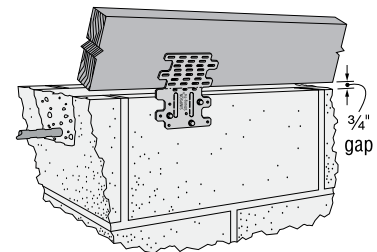
1 Typical RBCP Installation



2 Typical RBCP Installation



3 Typical RBCP Installation to CMU Block



Model No.	Type of Connection	Bending Angle	Fasteners		DF/SP Allowable Loads	SPF Allowable Loads
			To Plate	To Blocking	Lateral (133/160)	Lateral (133/160)
RBCP	1	45° to 90°	6-10dx1½	6-10dx1½	440	380
	2	0° to 45°	6-10dx1½	6-10dx1½	485	420
	3	0° to 45°	3-¼x2¼ Titen ⁴	6-10dx1½	350	350

1. Allowable loads are for one anchor attached to solid blocking minimum 1½" thick.
2. RBCP can be installed with up to ¾" gap and achieve 100% of the listed load.
3. Allowable loads have been increased 33% and 60% for earthquake or wind loading with no further increase allowed; reduce where other loads govern.

4. When attaching to concrete use 3-¼x1¾" Titen[®] screws.
5. May be installed with 0.131x3" pneumatic nails without load reduction.
6. For vented block with two holes, 100% of the load values apply. For vented block with three holes, reduce loads by 10%.

See back page for vented block installation.

800-999-5099
www.strongtie.com

© 2008 Simpson Strong-Tie Company Inc.
Printed in the U.S.A.

T-RBCP08 1/08 exp. 1/10

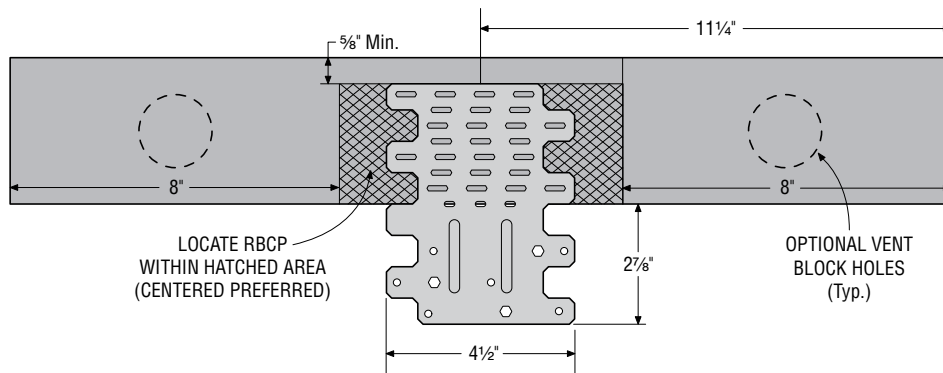
RBCP – Roof Boundary Clip with Prongs

INSTRUCTIONS FOR TRUSS BLOCK SUPPLIER

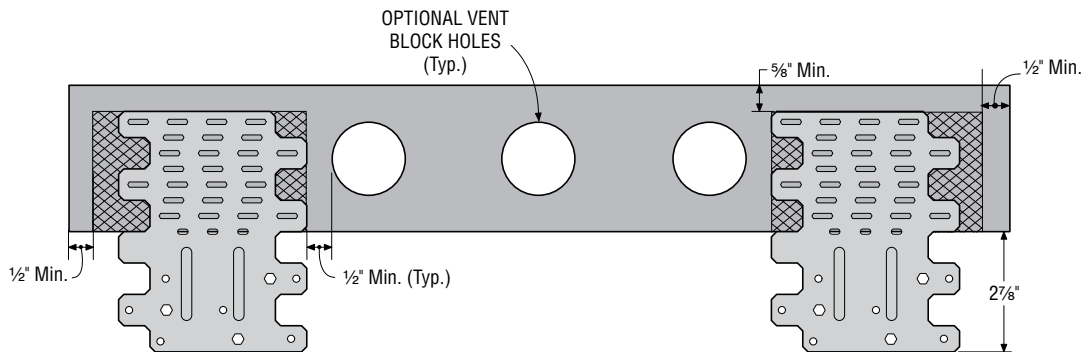
Installation:

1. Bend holes shall be aligned along lower edge of block as shown in the drawing below.
2. All teeth in the RBCP shall be pressed (not hammered) into the block such that there is no more than a 1/32" gap between the face of the block and the bottom surface of the RBCP.
3. RBCP shall be installed in clear wood (no knots, etc. where prongs are installed).

Proper RBCP Location on 22.5" Solid or Two Hole Vent Block



Proper RBCP Location on 22.5" Three Hole Vent Block



This technical bulletin is effective until January 31, 2010, and reflects information available as of January 1, 2008. This information is updated periodically and should not be relied upon after January 31, 2010; contact Simpson Strong-Tie for current information and limited warranty or see www.strongtie.com.

Home Office
5956 W. Las Positas Blvd.
Pleasanton, CA 94588
FAX: 925/847-1603

Southwest U.S.A.
260 N. Palm Street
Brea, CA 92821
FAX: 714/871-9167

Southeast U.S.A.
2221 Country Lane
McKinney, TX 75069
FAX: 972/542-5379

Western Canada
11476 Kingston St.
Maple Ridge, BC V2X 0Y5
FAX: 604/465-0297

Northwest U.S.A.
5151 S. Airport Way
Stockton, CA 95206
FAX: 209/234-3868

Northeast U.S.A.
2600 International Street
Columbus, OH 43228
FAX: 614/876-0636

Eastern Canada
5 Kenview Blvd.
Brampton, ON L6T 5G5
FAX: 905/458-7274

Warehouses & Manufacturing:
Eagan, MN; Enfield, CT; Gallatin, TN;
High Point, NC; Jacksonville, FL;
Kent, WA; Langley, BC

800-999-5099
www.strongtie.com

© 2008 Simpson Strong-Tie Company Inc.

Printed in the U.S.A.

T-RBCP08 1/08 exp. 1/10