

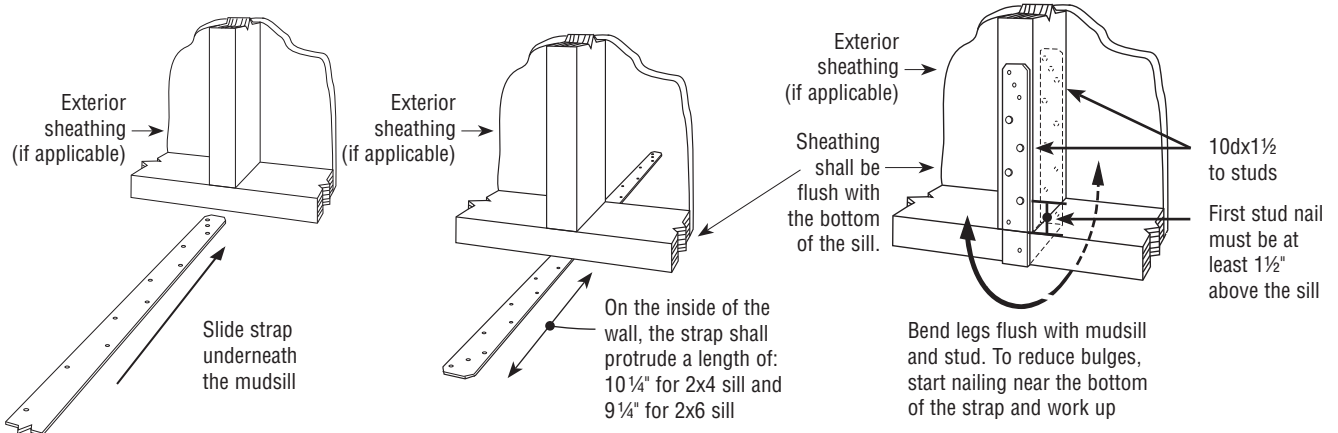
**LSTA24 and MSTA24 FIELD-FORMED
AS A STUD-TO-MUDSILL ANCHOR**

MATERIAL: LSTA24 – 20 gauge
MSTA24 – 18 gauge

FINISH: Galvanized; MSTA24 available with a ZMAX® coating. Specify model with “Z” suffix when required.

INSTALLATION:

- Slide the LSTA or MSTA strap underneath the mudsill with 10 ¼" of the strap protruding out from the inside of the 2x4 mudsill.
- If a 2x6 mudsill is used, only 9 ¼" of the strap should protrude out from the inside of the sill.
- Each bend in the strap must be tight and the strap must sit flush against the edge of the mudsill and the stud or sheathing.
- Bend strap one time only.



Available with additional corrosion protection.

Model No.	Fasteners		Allowable Uplift Loads		
	Total Quantity (half on each side)	Stud	DF	SP	SPF
			(160)	(160)	(160)
LSTA24	6	10dx1½	975	975	725
LSTA24	8	10dx1½	1235	1265	925
MSTA24	10	10dx1½	1240	1240	1065
MSTA24	12	10dx1½	1360	1490	1170

1. Allowable loads have been increased 60% for earthquake or wind loading; no further increase allowed. Reduce where other loads govern.