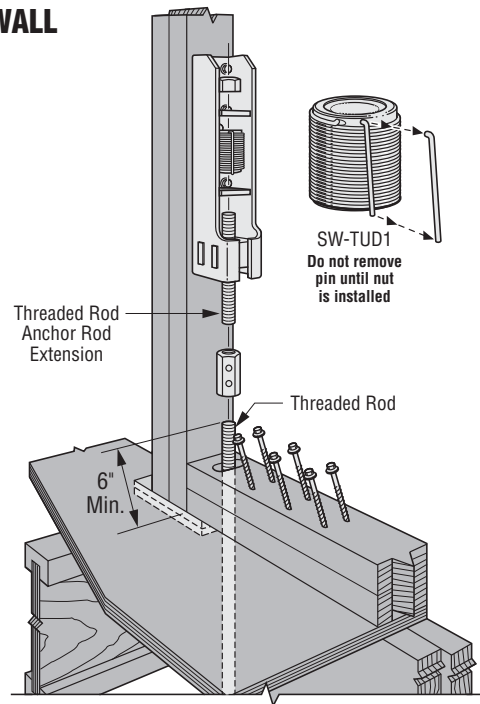


INSTALLATION GUIDE FOR SIMPSON STRONG-TIE® TAKE-UP DEVICES

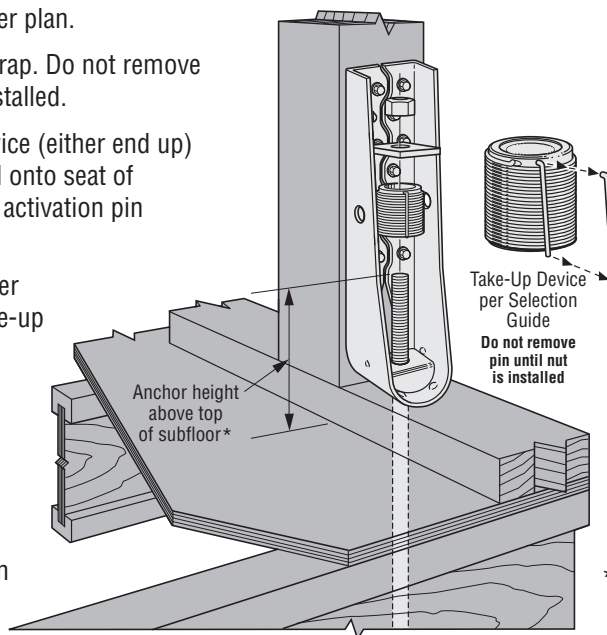
INSTALLATION WITH RAISED FLOOR STRONG-WALL® SHEARWALL AND THE PRE-INSTALLED HDQ8 HOLDDOWN

- For Strong-Wall® panel applications, extend threaded rod 6" minimum above subfloor.
- Install Simpson Strong-Tie® Strong-Wall® panel per Installation Guide.
- Install coupler nut onto threaded rod. Keep witness hole visible.
- Install lower end of threaded rod anchor rod extension into coupler.
- Install plate washer provided with Strong-Wall® panel onto seat of the holdown.
- Remove shrink wrap. Do not remove pin until nut is installed.
- Place take-up device (either end up) on plate washer with activation pin facing out.
- Install plate washer provided with take-up device, and then attach nut on top.
- Tighten nut finger-tight plus 1/3- to 1/2-turn with a wrench.
- Remove activation pin.



INSTALLATION WITH STRONG-TIE® HOLDDOWNS

- For holddown applications, extend threaded rod above subfloor per Selection Guide table.
- Install holddown per plan.
- Remove shrink wrap. Do not remove pin until nut is installed.
- Place take-up device (either end up) over threaded rod onto seat of the holddown with activation pin facing out.
- Install plate washer provided with take-up device, and then attach nut on top.
- Tighten nut finger-tight plus 1/3- to 1/2-turn with a wrench.
- Remove activation pin.



Selection Guide

Holddown	Anchor Rod Extension (in.)	Anchor Diameter (in.)	Take-Up Device
HDU2	7	5/8	ATUD5KT
HDU4			
HDU5			
HTT4	6		
HTT5			
HD3B	8	7/8	SW-TUD1KT
HD5B			
HDU8	7		
HDQ8			
HD7B			
HD9B	8		
HDU11			
HDU14			
HHDQ11	6 1/2		
HHDQ14			

* Anchor height above top of subfloor considers 2x nominal sill plate thickness. Increase as required for 3x or 4x sill plates.