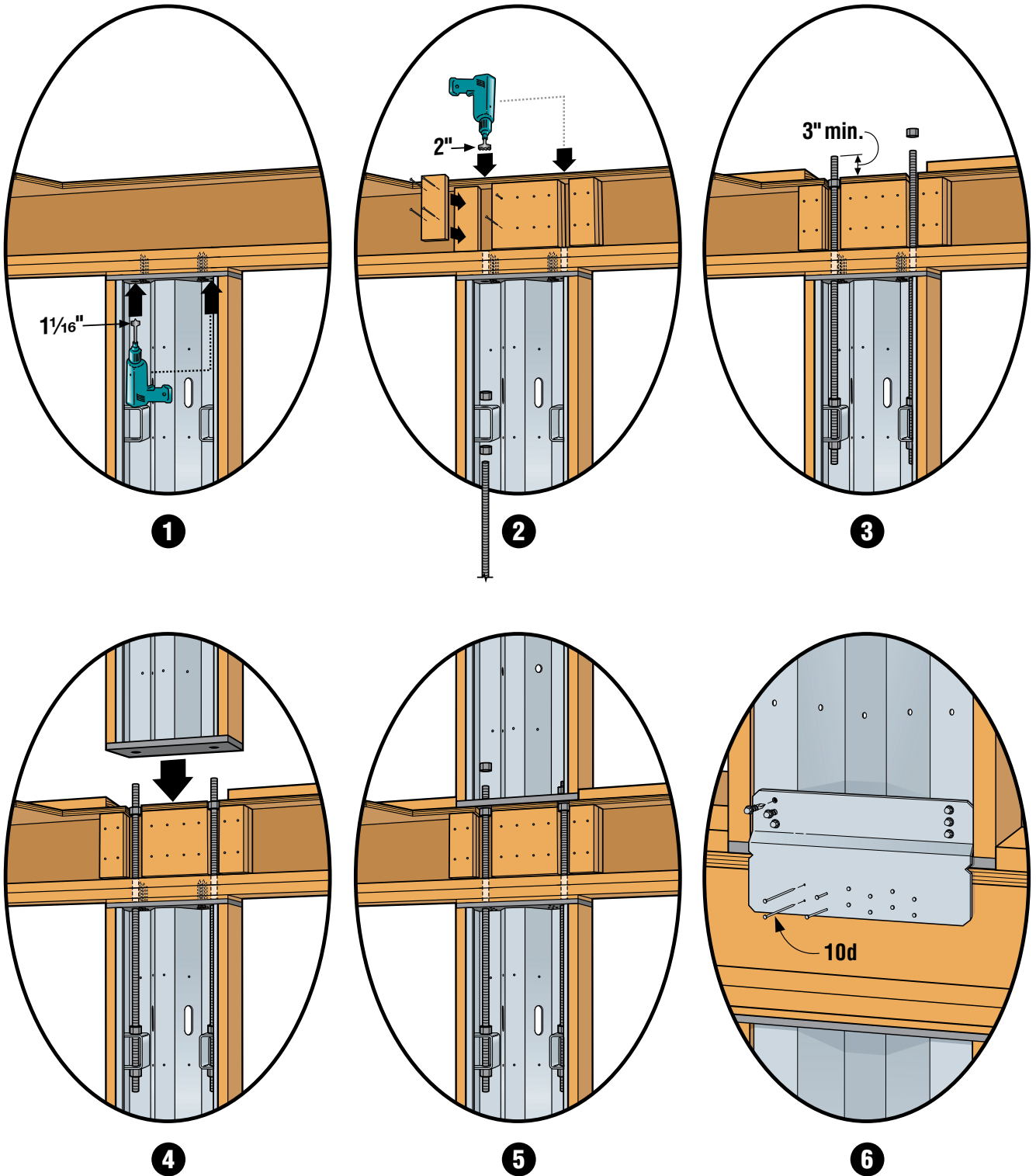


SSW-2KT INSTALLATION



T-SSW-2KT 2/09 exp. 6/13 © 2009 Simpson Strong-Tie Company Inc.

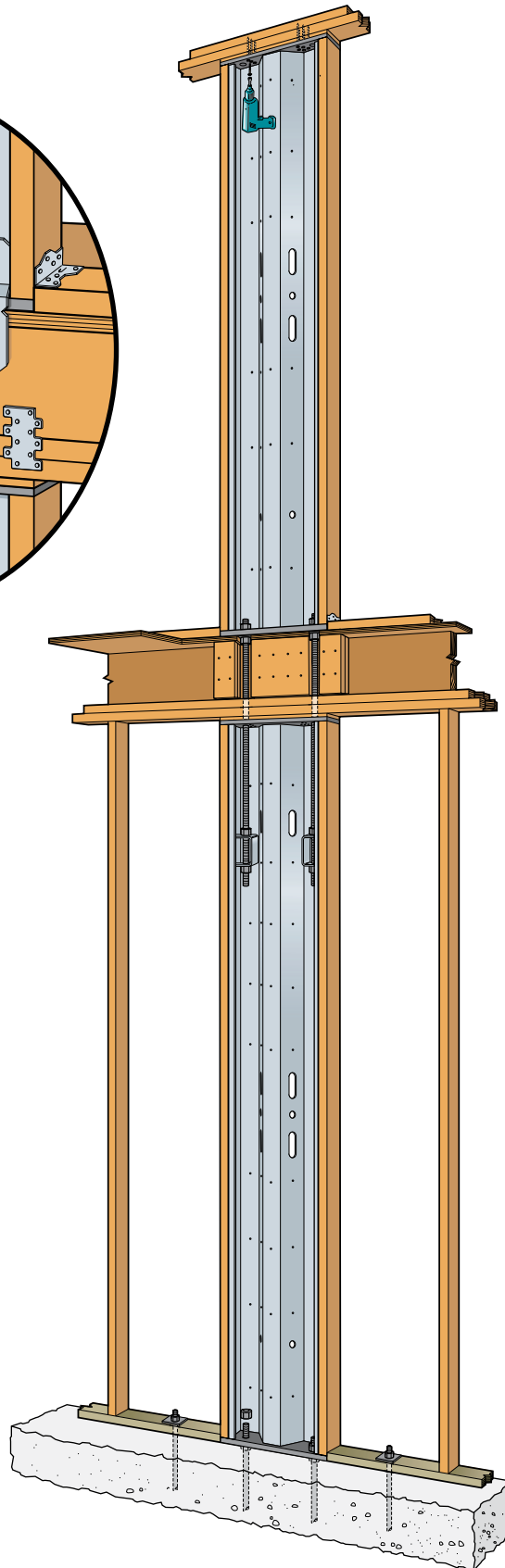
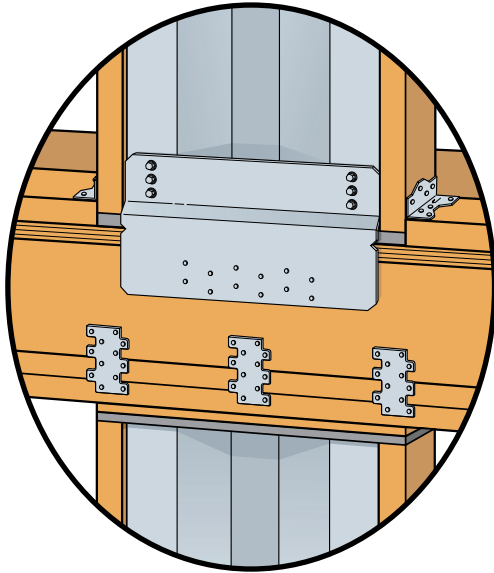
For complete Strong-Wall® panel installation details, see the *Strong-Wall Shearwalls* catalog or see www.strongtie.com.

SSW-2KT INSTALLATION

SIMPSON

Strong-Tie

®



For complete Strong-Wall® panel installation details, see the *Strong-Wall Shearwalls* catalog or see www.strongtie.com.

This bulletin is effective until June 30, 2013, and reflects information available as of February 1, 2009. This information is updated periodically and should not be relied upon after June 30, 2013; contact Simpson Strong-Tie for current information and limited warranty or see www.strongtie.com.

Simpson Strong-Tie Co. Inc.
P.O. Box 10789
Pleasanton, CA 94588

800-999-5099
www.strongtie.com

© 2009
Simpson Strong-Tie Company Inc.
Printed in the U.S.A.

T-SSW-2KT 2/09 exp. 6/13