

# UFP Universal Foundation Plate

The UFP provides a retrofit method to anchor the mudsill to the side of the foundation in applications where minimum vertical clearance exists. The UFP is also designed to perform when the mudsill is offset from the foundation up to 2 1/2" or extended beyond the foundation up to 1/2".

The UFP may be used in place of the FA, HFA and FAP connectors.

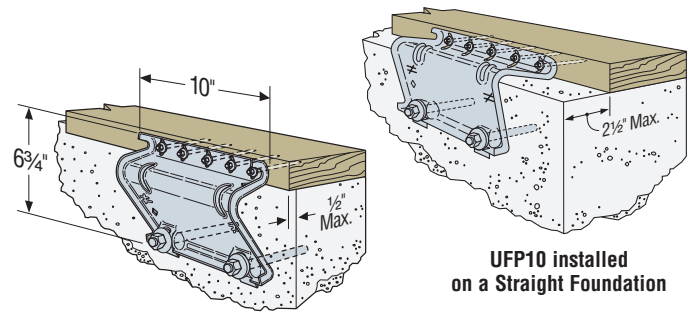
**MATERIAL:** 14 gauge

**FINISH:** Galvanized. May be ordered HDG, contact Simpson Strong-Tie. See Corrosion Information, page 10-11.

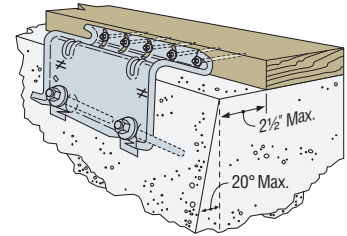
**INSTALLATION:** • Use all specified fasteners; see General Notes.

- Loads are based on test results using Simpson Strong-Tie® SDS 1/4"x3" screws, which are supplied with the UFP10.
- Alternate lag screws will not achieve published loads.
- Refer to technical bulletin T-ANCHORSPEC or flier F-PLANS for post-installed anchorage solutions (see page 191 for details).

**CODES:** See page 12 for Code Reference Key Chart.



**UFP10 installed on a Straight Foundation with 1/2" Offset Mudsill**



**UFP10 installed on a Trapezoid Foundation**

U.S. Patent  
5,732,519

Model No.	Max Spacing to replace Anchor Bolt 1/2" or 5/8" dia.	Fasteners			Allowable Load DF/SP Parallel to Plate (160)	Code Ref.
		Anchor Bolt		Plate		
		Qty.	Dia.			
UFP10-SDS3	6'	2	1/2"	5-SDS 1/4"x3"	1340	I20, L26, F19

1. Allowable loads have been increased 60% for wind or earthquake loading with no further increase allowed; reduce where other load durations apply.
2. Each anchor bolt requires a standard cut washer.

# FAP/FJA/FSA Foundation Anchors

The FAP Plate connects the mudsill to the foundation, and is designed to provide lateral load resistance.

The FJA Foundation Joist Anchor nails or bolts directly into floor joists, providing a direct connection between the foundation and joist to resist uplift and lateral forces. FSA Foundation Stud Anchor nails or bolts to floor joists, or nails to the stud. Plywood sheathing may require notching with stud-to-foundation installation.

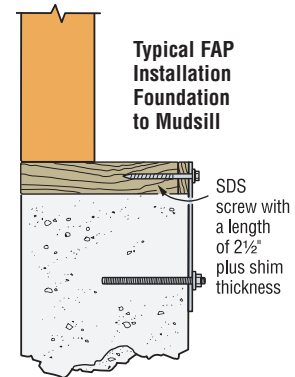
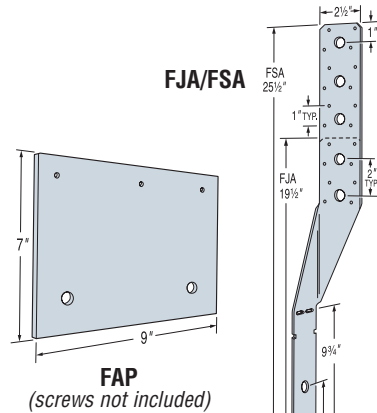
**MATERIAL:** FAP—7 gauge; all others—12 gauge

**FINISH:** Galvanized. May be ordered HDG, contact Simpson Strong-Tie. See Corrosion Information, page 10-11.

**INSTALLATION:**

- Use all specified fasteners; see General Notes.
- Refer to technical bulletin T-ANCHORSPEC for post-installed anchorage solutions (see page 191 for details).

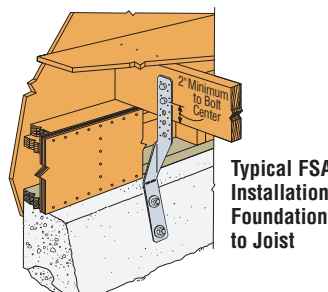
**CODES:** See page 12 for Code Reference Key Chart.



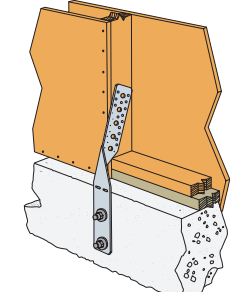
Add a shim between plate and sill when space is between 3/16" and 1 1/2". When space exceeds 1 1/2" use the UFP. The shim must be fastened to the mudsill by means other than the FAP SDS wood screw.

These products are available with additional corrosion protection. Additional products on this page may also be available with this option, check with Simpson Strong-Tie for details.

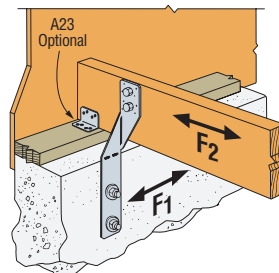
Model No.	Max Spacing to Replace Anchor Bolts		Fasteners			Allowable Loads DF/SP (160)			Code Ref.
			Anchor Bolt Qty.	Stud/Joist/Plate Dia.	(160)				
					Uplift	F <sub>1</sub>	F <sub>2</sub>		
FAP	5 1/2'	4'	2	1/2"	3-SDS 1/4" x 2 1/2" + shim thickness	—	950	365	L8
FJA	—	—	2	1/2"	8-10dx1 1/2"	1205	185	60	I20, L26, F19
					2-1/2MB	690	185	60	
FSA	—	—	2	1/2"	8-10dx1 1/2"	1205	—	—	I20, L26, F19
					2-1/2MB	690	—	—	



**Typical FSA Installation Foundation to Joist**



**Typical FSA Installation Foundation to Stud**



**Typical FJA Installation Foundation to Joist**

1. Allowable loads have been increased 60% for wind or earthquake loading with no further increase allowed; reduce where other load durations govern.
2. For redwood mudsills, reduce F<sub>1</sub> on FAP to 840 lbs.
3. Spacing to be specified by the Designer.
4. FAP shall use a minimum SDS wood screw length of 2 1/2" plus the shim thickness.
5. The shim must be fastened to the mudsill by means other than the FAP SDS wood screw.
6. FAP may be installed with 1/4" HDG lag bolts. Follow code requirements for predrilling.
7. **NAILS:** 10dx1 1/2" = 0.148" dia. x 1 1/2" long. See page 16-17 for other nail sizes and information.