

BP/LBP Bearing Plates

Bearing Plates give greater bearing surface than standard cut washers, and help distribute the load at these critical connections.

The BP $\frac{1}{2}$ -3 and BP $\frac{5}{8}$ -3 are 3"x3" bearing plates that meet the latest requirements of the IRC and IBC. These plate washers are available uncoated or with a hot-dip galvanized (HDG) coating.

The BPS and LBPS are 3"x3" bearing plates that offer increased flexibility while meeting the latest requirements of the code. The slotted hole allows for adjustability to account for bolts that are not in the middle of the sill plate.

The BP $\frac{5}{8}$ SKT uses SDS $\frac{1}{4}$ "x $\frac{1}{2}$ " screws to provide lateral resistance when $\frac{5}{8}$ " diameter sill holes are overdrilled (*screws are provided*). The shear capacity of the connection and the sill/anchor bolt shall be determined by the Designer for each installation.

MATERIAL: See table

FINISH: LBP, LBPS & BP $\frac{5}{8}$ S—Galvanized; BP $\frac{7}{8}$ -2—Zinc Plated; BPS, BP—None. BP's and BPS's may be ordered HDG; LBP and LBPS products may be ordered ZMAX®; contact Simpson Strong-Tie. Refer to page 10-11 for Corrosion Information.

INSTALLATION: See General Notes.

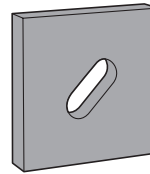
CODES: See page 12 for Code Reference Key Chart.

2006 IRC R602.11.1, 2006 IBC 2305.3.11 (see footnote 2 below)

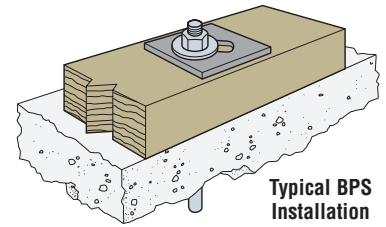
These products are available with additional corrosion protection. Additional products on this page may also be available with this option, check with Simpson Strong-Tie for details.

Model No.	Thickness	Dimensions		Bolt Dia.	Code Ref.
		W	L		
LBP $\frac{1}{2}$	$\frac{9}{64}$	2	2	$\frac{1}{2}$	180
LBP $\frac{5}{8}$	$\frac{9}{64}$	2	2	$\frac{5}{8}$	190
LBPS $\frac{1}{2}$	$\frac{9}{64}$	3	3	$\frac{1}{2}$	180
LBPS $\frac{5}{8}$	$\frac{9}{64}$	3	3	$\frac{5}{8}$	190
BPS $\frac{1}{2}$ -3	3 ga	3	3	$\frac{1}{2}$	190
BPS $\frac{5}{8}$ -3	3 ga	3	3	$\frac{5}{8}$	190
BP $\frac{1}{2}$	$\frac{3}{16}$	2	2	$\frac{1}{2}$	L8, 190
BP $\frac{1}{2}$ -3	3 ga	3	3	$\frac{1}{2}$	190
BP $\frac{5}{8}$ -2	$\frac{3}{16}$	2	2	$\frac{5}{8}$	180
BP $\frac{5}{8}$ SKT	3 ga	4	2	$\frac{5}{8}$	180
BP $\frac{5}{8}$	$\frac{1}{4}$	2 $\frac{1}{2}$	2 $\frac{1}{2}$	$\frac{5}{8}$	L8
BP $\frac{5}{8}$ -3	3 ga	3	3	$\frac{5}{8}$	190
BP $\frac{3}{4}$	$\frac{5}{16}$	2 $\frac{3}{4}$	2 $\frac{3}{4}$	$\frac{3}{4}$	L8
BP $\frac{3}{4}$ -3	3 ga	3	3	$\frac{3}{4}$	190
BPS $\frac{3}{4}$ -3	3 ga	3	3	$\frac{3}{4}$	190
BP $\frac{7}{8}$ -2	$\frac{3}{8}$	1 $\frac{5}{16}$	2 $\frac{1}{4}$	$\frac{7}{8}$	180
BP $\frac{7}{8}$	$\frac{5}{16}$	3	3	$\frac{7}{8}$	L8
BP1	$\frac{3}{8}$	3 $\frac{1}{2}$	3 $\frac{1}{2}$	1	L8

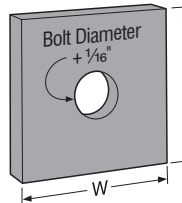
- BP $\frac{5}{8}$ SKT sold as a kit.
- Standard cut washer required with BPS $\frac{1}{2}$ -3, BPS $\frac{5}{8}$ -3, and BPS $\frac{3}{4}$ -3 (not provided) per the 2006 IRC and IBC.



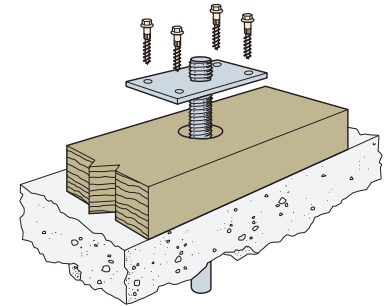
BPS
(LBPS similar)



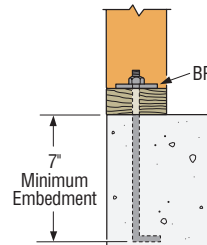
Typical BPS Installation



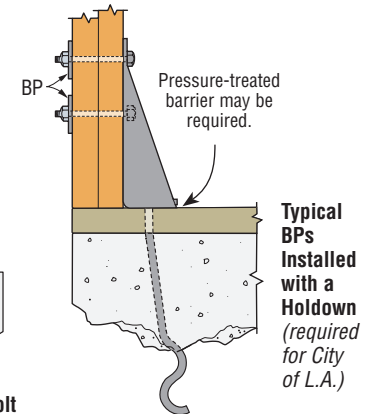
BP
(LBP similar)



The BP $\frac{5}{8}$ SKT is used when $\frac{5}{8}$ " diameter sill bolt holes are overdrilled



Typical BP Installed with a Mudsill Anchor Bolt



Typical BPs Installed with a Holdown (required for City of L.A.)

GH Girder Hangers

A girder-to-foundation wall connection.

MATERIAL: 12 gauge

FINISH: Painted. May be ordered HDG, contact Simpson Strong-Tie.

See Corrosion Information, page 10-11.

INSTALLATION: • Use all specified fasteners. See General Notes.

- Insert four 16d commons into girder.
- H = girder height – mudsill thickness.
- $\frac{1}{2}$ " clearance hole accommodates rebar or anchor. This is not required.

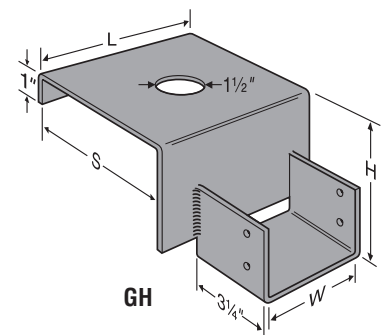
OPTIONS: For skewed and saddle hangers, see Hanger Options on pages 181-183.

Contact Simpson Strong-Tie for other sizes available.

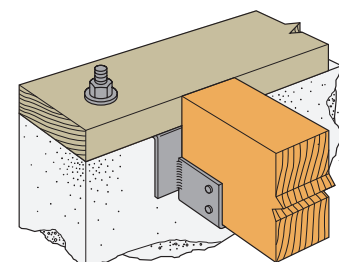
CODES: See page 12 for Code Reference Key Chart.

Model No.	Girder	Dimensions					Allowable Loads		Code Ref.
		W	L	H 2x Plate	H 3x Plate	S	Floor (100)	Roof (125)	
GH46-6	4x6	3 $\frac{3}{16}$	6	4	3	6 $\frac{1}{16}$	2000	2000	I20, L26, F19
GH46-8	4x6	3 $\frac{3}{16}$	6	4	3	8 $\frac{1}{16}$	2000	2000	
GH48-6	4x8	3 $\frac{3}{16}$	6	6	5	6 $\frac{1}{16}$	2000	2000	
GH48-8	4x8	3 $\frac{3}{16}$	6	6	5	8 $\frac{1}{16}$	2000	2000	170
GH66-6	6x6	5 $\frac{1}{2}$	8	4	3	6 $\frac{1}{16}$	4000	4000	
GH66-8	6x6	5 $\frac{1}{2}$	8	4	3	8 $\frac{1}{16}$	4000	4000	
GH68-6	6x8	5 $\frac{1}{2}$	8	6	5	6 $\frac{1}{16}$	4000	4000	
GH68-8	6x8	5 $\frac{1}{2}$	8	6	5	8 $\frac{1}{16}$	4000	4000	

1. Loads may not be increased for short-term loading.
2. A mudsill on top of the GH is required to achieve the table loads.
3. Models listed are for a 2x plate, specify "H" dimension when ordering for use with a 3x plate.
4. Uplift loads do not apply for this hanger.
5. **NAILS:** 16d = 0.162" dia. x 3 $\frac{1}{2}$ " long. See page 16-17 for other nail sizes and information.



GH



Typical GH Installation