

# GLB/HGLB/GLBT Beam Seats

The GLB Series provides a connection between beam and concrete or CMU pilaster.

**FINISH:** Simpson Strong-Tie® gray paint

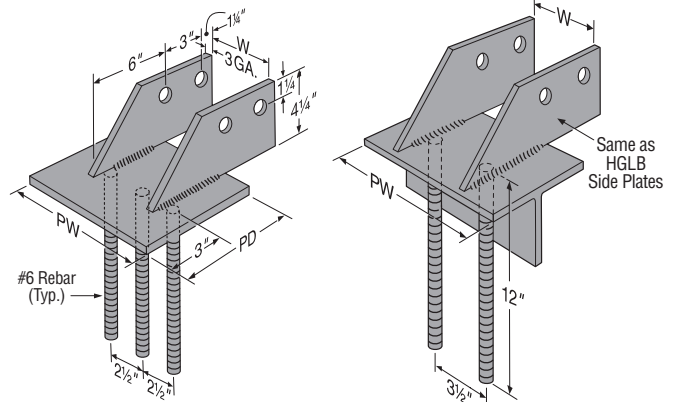
**INSTALLATION:**

- Use all specified fasteners. See General Notes.
- Bolt holes shall be a minimum of 1/32" to a maximum of 1/16" larger than the bolt diameter (per the 2005 NDS, section 11.1.2).
- Check the rebar spacing requirements on all installations.

**OPTIONS:**

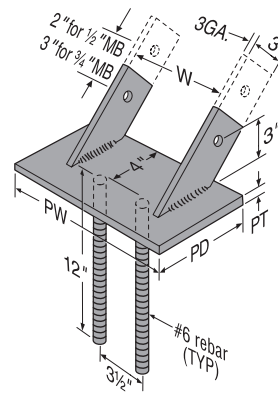
- Sawn timber and other sizes may be ordered by specifying special dimensions; use the letter designations shown on the illustrations.
- Specify if two-bolt GLB model is desired; see illustration.

**CODES:** See page 12 for Code Reference Key Chart.

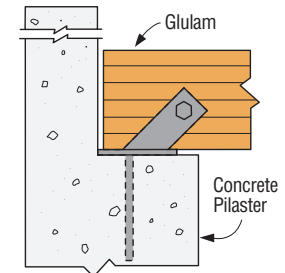


**HGLB**

**GLBT**



**GLB**



**Typical GLB Installation**

Model No.	Dimensions				Bolts	Allowable Bearing Loads (lbs) <sup>1,2</sup>		Code Ref.
	W	PD	PW	PT		Masonry @ 375 psi	Wood f <sub>c</sub> -perp	
GLB5A	5 1/4	5	7	3 ga	1 - 1/2	13125	14350	I20, L26, F19
GLB5B	5 1/4	6	7	3/8	1 - 1/2	15750	17220	
GLB5C	5 1/4	7	7	3/8	1 - 1/2	18375	20090	
GLB5D	5 1/4	8	7	3/8	1 - 1/2	21000	22960	
GLB7A	6 7/8	5	9	3 ga	1 - 3/4	16875	14350	
GLB7B	6 7/8	6	9	3/8	1 - 3/4	20250	17220	
GLB7C	6 7/8	7	9	3/8	1 - 3/4	23625	20090	
GLB7D	6 7/8	8	9	3/8	1 - 3/4	27000	22960	

1. Allowable bearing stress for masonry is based on an f<sub>m</sub> of 1500 psi using the IBC (ACI 530 2.1.9.3) Allowable Stress Design. Wood bearing is based on f<sub>c</sub>-perp of 560 psi.
2. When installed on masonry, use the lesser of the masonry or the wood allowable load values. When installed on concrete, a minimum f<sub>c</sub> = 2000 psi shall be used and use the wood values as the limiting allowable bearing load values.

Model No.	Dimensions				Bolts	Allowable Bearing Loads (lbs) <sup>1,2</sup>					Allowable Horizontal Bolt Loads <sup>3,4</sup> (lbs.)	Code Ref.	
	W <sup>5</sup>	PD	PW	PT		Masonry @ 375 psi	Wood f <sub>c</sub> -perp on Glulam Width						
							3 1/8	5 1/8	6 3/4	8 3/4			10 3/4
HGLBA	3 1/4 to 9	5	10	3/8	2 - 3/4	18750	8750	14350	18900	24500	—	8260	I20, L26, F19
HGLBB	3 1/4 to 9	6	10	3/8	2 - 3/4	22500	10500	17220	22680	29400	—	8260	
HGLBC	3 1/4 to 9	7	10	3/8	2 - 3/4	26250	12250	20090	26460	34300	—	8260	
HGLBD	3 1/4 to 9	8	10	3/8	2 - 3/4	30000	14000	22960	30240	39200	—	8260	
GLBT512	3 1/4 to 11	5 1/4	12	5/16	2 - 3/4	23625	9190	15070	19845	25725	31605	8260	
GLBT612	3 1/4 to 11	6 1/2	12	3/8	2 - 3/4	29250	11375	18655	24570	31850	39130	8260	
GLBT516	3 1/4 to 15	5 1/4	16	5/16	2 - 3/4	31500	9190	15070	19845	25725	31605	8260	
GLBT616	3 1/4 to 15	6 1/2	16	3/8	2 - 3/4	39000	11375	18655	24570	31850	39130	8260	
GLBT520	3 1/4 to 19	5 1/4	20	5/16	2 - 3/4	39375	9190	15070	19845	25725	31605	8260	
GLBT620	3 1/4 to 19	6 1/2	20	3/8	2 - 3/4	48750	11375	18655	24570	31850	39130	8260	

1. Allowable bearing stress for masonry is based on an f<sub>m</sub> of 1500 psi using the IBC (ACI 530 2.1.9.3) Allowable Stress Design. Wood bearing is based on f<sub>c</sub>-perp of 560 psi.
2. When installed on masonry, use the lesser of the masonry or the wood allowable load values. When installed on concrete, a minimum f<sub>c</sub> = 2000 psi shall be used and use the wood values as the limiting allowable bearing load values.
3. Allowable horizontal loads are bolt values and include a 60% increase for wind or earthquake loading. Loads must be reduced if stresses in masonry or concrete are limiting.
4. Beams must fully bear on base plate.
5. The GLBT5 has a WT4x9 structural tee; the GLBT6 has a WT4x12 structural tee.
6. Specify "W" dimension when ordering.
7. Uplift loads do not apply for this connector.