

LCB/CB Column Bases

MATERIAL: See table

FINISH: LCB, CB44, CB46, CB66—galvanized;
all other CB—Simpson Strong-Tie® gray paint or HDG

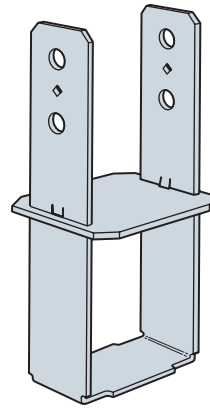
INSTALLATION: • Use all specified fasteners. See General Notes.

- For full loads, minimum side cover required is 3" for CB, 2" for LCB.
- Install all models with bottom of base plate flush with concrete.
- Post bases do not provide adequate resistance to prevent members from rotating about the base and therefore are not recommended for non top-supported installations (such as fences or unbraced carports).

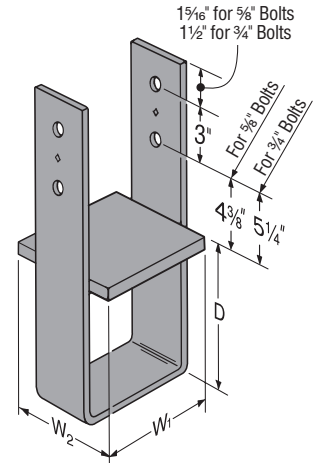
OPTIONS:

- LCB and CB are available in rough size. Other sizes available for CB specify W₁ and W₂ dimensions. Consult Simpson Strong-Tie for bolt sizes and allowable loads.

CODES: See page 12 for Code Reference Key Chart.



CB44
(CB46, CB66, CB88 similar)

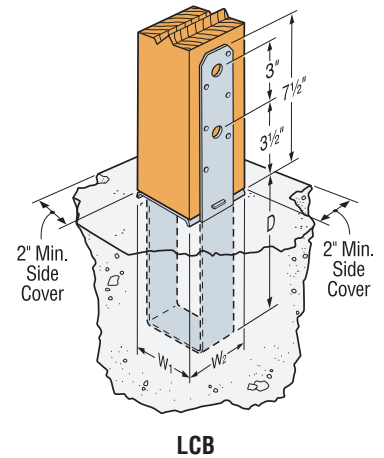


Configuration of all other CB sizes

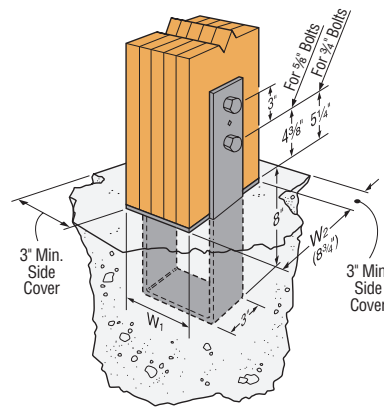
Caps & Bases

These products are available with additional corrosion protection. Additional products on this page may also be available with this option, check with Simpson Strong-Tie for details.

Model No.	Nominal Column Size	Material		Dimensions			Column Fasteners		Allowable Uplift Loads		Code Ref.
		Strap (Ga x Width)	Base (Ga)	W ₁	W ₂	D	Nails	Machine Bolts	Nails	Bolts	
							Qty.	Qty.	(160)	(160)	
LCB44	4x4	12 ga x 2	16	3 9/16	3 1/2	6 1/2	2	2	2705	4250	IL8 ⁶
CB44	4x4	7 ga x 2	7	3 9/16	3 9/16	8	—	2	—	4200	
LCB46	4x6	12 ga x 2	16	3 9/16	5 1/2	6 1/2	2	2	2705	4240	
CB46	4x6	7 ga x 2	7	3 9/16	5 1/2	8	—	2	—	4200	
CB48	4x8	7 ga x 2	7	3 9/16	7 1/2	8	—	2	—	4200	
CB5-4.5	GLULAM	7 ga x 3	7	4 1/2	5 1/8	8	—	2	—	4200	
CB5-6	GLULAM	7 ga x 3	7	6	5 1/8	8	—	2	—	4200	
LCB66	6x6	12 ga x 2	16	5 1/2	5 1/2	5 1/2	2	2	2705	4230	170 ⁶
CB64	6x4	7 ga x 3	7	5 1/2	3 9/16	8	—	2	—	4200	
CB66	6x6	7 ga x 3	7	5 1/2	5 1/2	8	—	2	—	4200	
CB6-7	6x	7 ga x 3	7	5 1/2	7	8	—	2	—	4200	
CB7 1/8-4	PSL	3 ga x 3	7	7 1/8	3 1/2	8	—	2	—	6650	
CB7 1/8-6	PSL	3 ga x 3	7	7 1/8	5 1/2	8	—	2	—	6650	
CB7 1/8-7	PSL	3 ga x 3	7	7 1/8	7	8	—	2	—	6650	
CB68	6x8	7 ga x 3	7	5 1/2	7 1/2	8	—	2	—	4200	IL8 ⁶
CB7-6	GLULAM	3 ga x 3	7	6	6 3/4	8	—	2	—	6650	
CB7-7.5	GLULAM	3 ga x 3	7	7 1/2	6 3/4	8	—	2	—	6650	
CB7-9	GLULAM	3 ga x 3	7	9 1/16	6 3/4	8	—	2	—	6650	
CB7-10.5	GLULAM	3 ga x 3	7	10 9/16	6 3/4	8	—	2	—	6650	
CB86	8x6	3 ga x 3	7	7 1/2	5 1/2	8	—	2	—	6650	
CB88	8x8	3 ga x 3	7	7 1/2	7 1/2	8	—	2	—	6650	IL8 ⁶
CB9-6	GLULAM	3 ga x 3	7	6	8 3/4	8	—	2	—	6650	
CB9-7.5	GLULAM	3 ga x 3	7	7 1/2	8 3/4	8	—	2	—	6650	
CB9-9	GLULAM	3 ga x 3	7	9	8 3/4	8	—	2	—	6650	
CB9-10.5	GLULAM	3 ga x 3	7	10 1/2	8 3/4	8	—	2	—	6650	
CB1010	10x10	3 ga x 3	3	9 1/2	9 1/2	8	—	2	—	6650	
CB1012	10x12	3 ga x 3	3	9 1/2	11 1/2	8	—	2	—	6650	
CB1212	12x12	3 ga x 3	3	11 1/2	11 1/2	8	—	2	—	6650	



LCB



CB9
(CB5, CB7 similar)
for Glulam Column

1. Uplift loads have been increased 60% for wind or earthquake loading with no further increase allowed; reduce where other loads govern.
2. PSL is parallel strand lumber.
3. LCB products may be installed with either bolts OR nails (not both) to achieve table loads.
4. Structural composite lumber columns have sides that show either the wide face or the edges of the lumber strands/veneers. Values in the tables reflect installation into the wide face. See technical bulletin T-SCLCOLUMN for values on the narrow face (edge) (see page 191 for details). LCB bases installed with nails must be installed into the wide face.
5. Designer is responsible for concrete design.
6. Testing to new ICC-ES acceptance criteria to be completed in 2009. Reference www.strongtie.com for latest loads and information.
7. **NAILS:** 16d = 0.162" dia. x 3 1/2" long. See page 16-17 for other nail sizes and information.

© 2008 SIMPSON STRONG-TIE COMPANY INC. PRINTED 12/08