

LSU/LSSU Adjustable Light Slopeable/Skewable U Hangers



This product is preferable to similar connectors because of
a) easier installation, b) higher loads, c) lower installed cost,
or a combination of these features.

The LSU and LSSU series of hangers may be sloped and skewed in the field, offering a versatile solution for attaching joists and rafters. These hangers may be sloped up or down and skewed left or right, up to 45°.

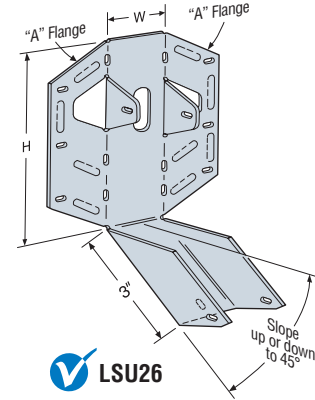
MATERIAL: See table

FINISH: Galvanized. Some products available in ZMAX® coating; see Corrosion Information, page 10-11.

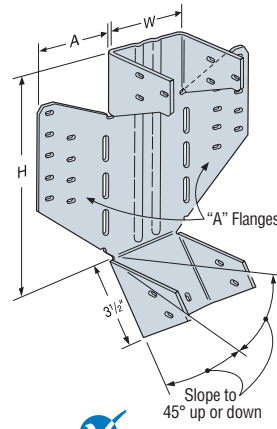
INSTALLATION:

- Use all specified fasteners. See General Notes.
- Attach the sloped joist at both ends so that the horizontal force developed by the slope is fully supported by the supporting members.
- To see an installation video on this product, visit www.strongtie.com.

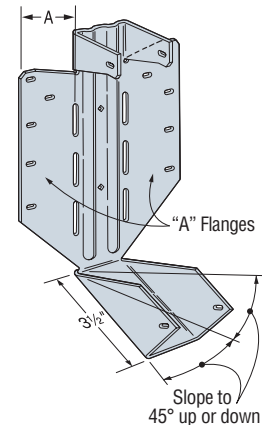
CODES: See page 12 for Code Reference Key Chart.



LSU26



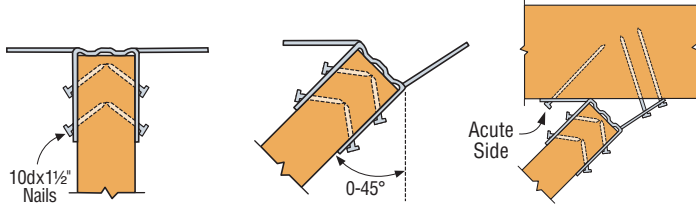
LSSU410
(LSSU210-2 similar)



LSSU28

LSU and LSSU INSTALLATION SEQUENCE

(For Skewed or Sloped/Skewed Applications)



STEP 1

Nail hanger to slope-cut carried member, installing seat nail first. No bevel necessary for skewed installation. Install joist nails at 45° angle.

STEP 2

Skew flange from 0-45°. Bend other flange back along centerline of slots until it meets the header. Bend one time only.

STEP 3

Attach hanger to the carrying member, acute angle side first (see footnote 4). Install nails at an angle.

Solid Sawn Lumber Connectors

These products are available with additional corrosion protection. Additional products on this page may also be available with this option, check with Simpson Strong-Tie for details.

Joist Width	Model No.	Ga	Dimensions			Fasteners		DF/SP Allowable Loads				SPF/HF Allowable Loads				Code Ref.
			W	H	A	Face	Joist	Uplift ² (160)	Floor (100)	Snow (115)	Roof (125)	Uplift ² (160)	Floor (100)	Snow (115)	Roof (125)	
Sloped Only Hangers																
1½	LSU26	18	1⅞	4⅞	1½	6-10d	5-10dx1½	535	665	765	800	415	575	660	690	I8, L1, F7
1½	LSSU28	18	1⅞	7⅞	1½	10-10d	5-10dx1½	535	1110	1275	1390	415	960	1105	1200	I8, L2, F7
1½	LSSU210	18	1⅞	8½	1⅝	10-10d	7-10dx1½	875	1110	1275	1390	625	960	1105	1200	I8, L1, F7
2½	LSSUH310	16	2⅞	8½	3⅜	18-16d	12-10dx1½	1150	2295	2295	2295	990	1930	1930	1930	170
3	LSSU210-2	16	3⅜	8½	2⅞	18-16d	12-10dx1½	1150	2430	2795	3035	990	2160	2485	2700	I8, L2, F7
3½	LSSU410	16	3⅞	8½	2⅝	18-16d	12-10dx1½	1150	2430	2795	3035	990	2160	2485	2700	I8, L3, F7
Skewed Hangers or Sloped and Skewed																
1½	LSU26	18	1⅞	4⅞	1½	6-10d	5-10dx1½	535	665	765	800	415	575	660	690	I8, L1, F7
1½	LSSU28	18	1⅞	7⅞	1½	9-10d	5-10dx1½	450	885	885	885	415	765	765	765	I8, L2, F7
1½	LSSU210	18	1⅞	8½	1⅝	9-10d	7-10dx1½	785	995	1145	1205	625	860	995	1050	I8, L1, F7
2½	LSSUH310	16	2⅞	8½	3⅜	14-16d	12-10dx1½	1150	1600	1600	1600	990	1385	1385	1385	170
3	LSSU210-2	16	3⅜	8½	2⅞	14-16d	12-10dx1½	1150	1625	1625	1625	990	1365	1365	1365	I8, L2, F7
3½	LSSU410	16	3⅞	8½	2⅝	14-16d	12-10dx1½	1150	1625	1625	1625	990	1365	1365	1365	I8, L3, F7

1. Roof loads are 125% of floor loads unless limited by other criteria.
2. Uplift loads include a 60% increase for wind or earthquake loading with no further increase is allowed; reduce when other loads govern.
3. Truss chord cross-grain tension may limit allowable loads. Refer to technical bulletins T-ANSITPISPF, T-ANSITPISP and T-ANSITPIDF (see page 191 for details) for allowable loads that consider ANSI/TPI 1-2007 wood member design criteria.
4. For skewed LSSU hangers, the inner most face fasteners on the acute angle side are not installed.
5. 10dx1½" nails may not be used for face nails on skewed or sloped and skewed LSU and LSSU hangers.
6. **NAILS:** 16d = 0.162" dia. x 3½" long, 10d = 0.148" dia. x 3" long, 10dx1½" = 0.148" dia. x 1½" long. See page 16-17 for other nail sizes and information.