

**HFN/F Panelized Construction Hangers**

The HF24N, HF26N, HF34N and HF36N hangers are designed for panels or components using jigs or similar devices for precision fabrication. Grip-groove feature provides positive lock into the 2x or 3x member without nailing. F series panel hangers are engineered components for panelized construction only.

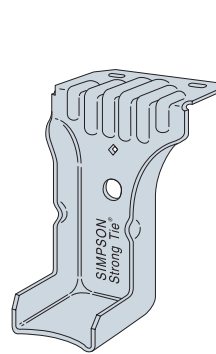
**MATERIAL:** 18 gauge

**FINISH:** Galvanized. Some products available in ZMAX® coating; see Corrosion Information, page 10-11.

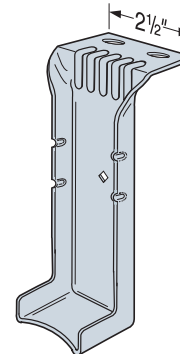
**INSTALLATION:**

- Use all specified fasteners. See General Notes.
- In panelized construction, it is acceptable to nail through the sheathing into the hanger's top flange using one 10dx2½" nail placed in the middle third of the top flange, no closer than ¼" from the back edge of the hanger. See technical bulletin T-HFHANGER for additional information (see page 191 for details).
- On the F-series hanger, the seat nail is non-structural and does not contribute to the load.
- For additional information on retrofit options see flier F-RUZRNUZ (see page 191 for details).

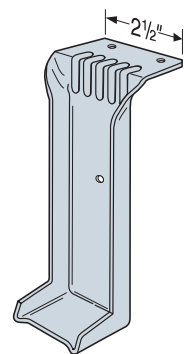
**CODES:** See page 12 for Code Reference Key Chart.



**HF24N**  
(HF34N similar)  
U.S. Patent 6,260,402



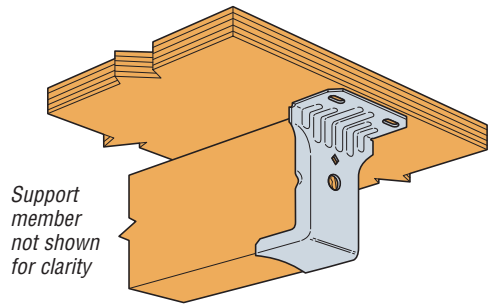
**HF26N**  
(HF36N similar)  
Dimples hold joist securely in place  
U.S. Patent 6,260,402



**F26P**

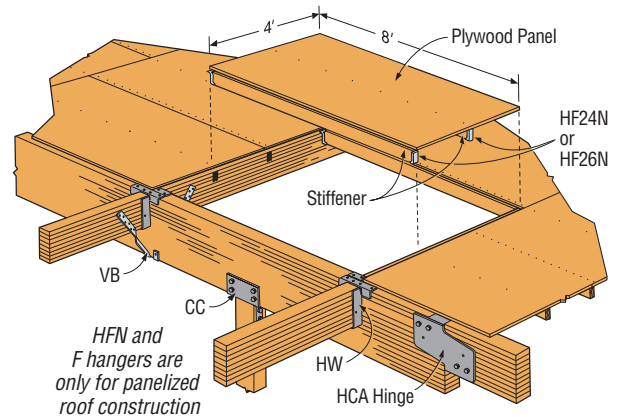
These products are available with additional corrosion protection. Additional products on this page may also be available with this option, check with Simpson Strong-Tie for details.

Model No.	Joist Size	Dimensions			Fasteners	Allowable Roof Loads (125)	Code Ref.
		W	H	TF			
HF24N	2x4	1½	3¾	1¼	2-10dx2½	580	I15, F14
F26P	2x6	1½	5¾	1¾	2-10d	585	I15, L3, F14
HF26N	2x6	1½	5¾	1¼	2-10dx2½	635	I15, F14
HF34N	3x4	2½	3¾	1¼	2-10dx2½	690	
HF36N	3x6	2½	5¾	1¼	2-10dx2½	725	
F24-2	(2) 2x4	3¼	3½	1¾	2-10d	735	
F26-2	(2) 2x6	3¼	5¾	1¾	2-10d	800	I15, L3, F14
F44	4x4	3¾	3¾	1½	2-10d	880	
F46	4x6	3¾	5¾	1¾	2-10d	785	

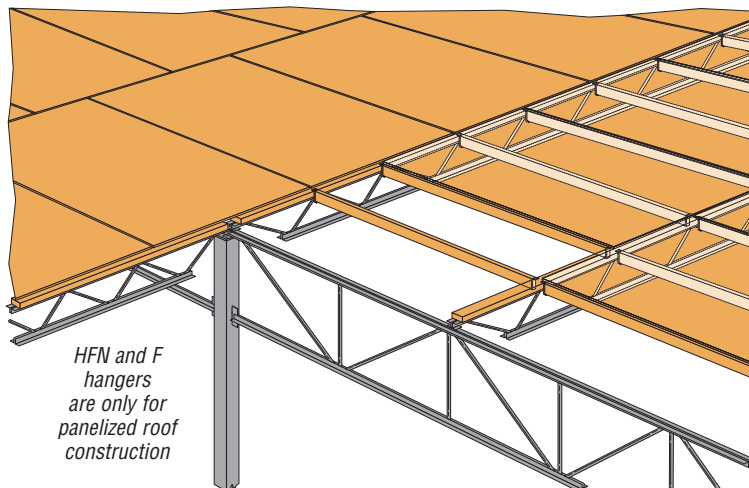


**Typical HF24N Installation**  
(HF34N similar)

1. 10d common nails can be used for specified 10dx2½ nails.
2. **NAILS:** 10d = 0.148" dia. x 3" long, 10dx2½ = 0.148" dia. x 2½" long. See page 16-17 for other nail sizes and information.



**Typical Wood Framed Panelized Roof System**



HFN and F hangers are only for panelized roof construction

**Typical Hybrid Panelized Roof System**