

RR Ridge Rafter Connector

An interlock provides alignment control and correct nailing locations. For a rafter-to-face connector, flatten the top flange into the face plane. The RR may be used with rafters sloped up to 30°.

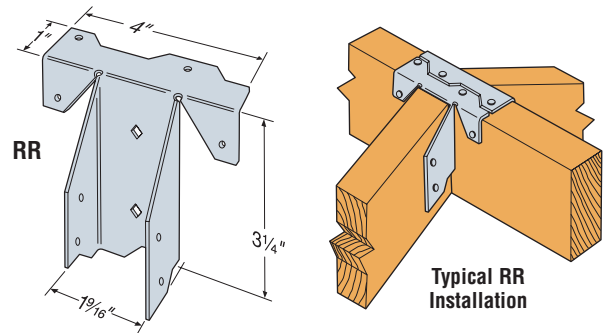
MATERIAL: 18 gauge **FINISH:** Galvanized

INSTALLATION: • Use all specified fasteners. See General Notes.

CODES: See page 12 for Code Reference Key Chart.

| Model No. | Min. Rafter Size | Fasteners | | Uplift (160) | Allowable Loads ¹ | | Code Ref. |
|-----------|------------------|-----------|----------|--------------|------------------------------|------------|-------------|
| | | Header | Rafter | | DF/SP | | |
| | | | | | Floor (100) | Roof (125) | |
| RR | 2x6 | 4-10dx1½ | 4-10dx1½ | 130 | 365 | 415 | I10, L3, F9 |

1. Floor loads may be adjusted for other load durations according to the code, provided they do not exceed the table roof loads.
2. **NAILS:** 10dx1½ = 0.148" dia. x 1½" long. See page 16-17 for other nail sizes and information.

**PSCL/PSCA** Panel Sheathing Clips

Simpson Strong-Tie® Panel Sheathing Clips are used to brace unsupported sheathing edges. **The PSCA is a new version of the PSCL with less material for a more cost effective solution.** Model sizes include: PSCL¾, PSCA7/16, PSCL7/16, PSCA15/32, PSCL15/32, PSCL½, PSCL5/8, PSCL19/32, PSCL¾.

MATERIAL: 20 gauge

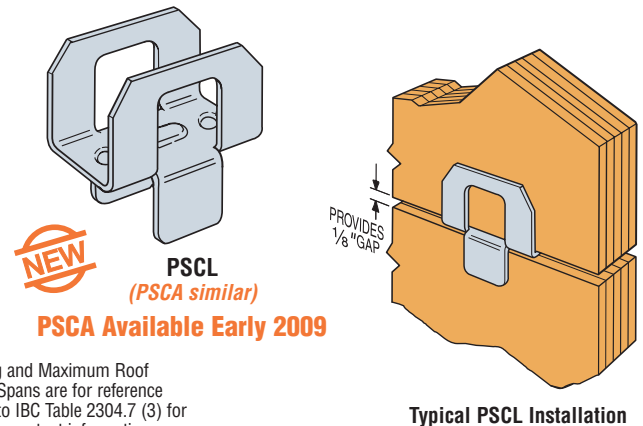
FINISH: Galvanized

INSTALLATION: • Use the same size sheathing clip as the panel thickness.

- Maximum spans may be reduced for low slopes or high uniform loads, refer to manufacturer's installation instructions.

CODES: See page 12 for Code Reference Key Chart.

| Span Rating | Panel Thickness | Maximum Roof Sheathing Span | | No. of Clips Per Span | Code Ref. |
|-------------|-----------------|-----------------------------|--------------|-----------------------|-----------|
| | | With Clip | Without Clip | | |
| 24/0 | ¾ | 24 | 20 | 1 | 180 |
| 24/16 | 7/16 | 24 | 24 | 1 ² | |
| 32/16 | 15/32, 1/2 | 32 | 28 | 1 ² | |
| 40/20 | 5/8, 19/32 | 40 | 32 | 1 | |
| 48/24 | ¾ | 48 | 36 | 2 | |



1. Span rating and Maximum Roof Sheathing Spans are for reference only, refer to IBC Table 2304.7 (3) for additional important information.
2. Maximum roof sheathing span with single PSCA is 24". For spans > 24" use two PSCA's.

SBV/CF-R Shelf Brackets/Concrete Form Angles

Use the SBV for shelving, counter brackets, window ledge supports, at a very competitive price.

The CF-R is used where a moderate size shelf bracket and reinforcing angle is needed. When used for tilt-up perimeter forming, the nail hole placement ensures substantial re-use.

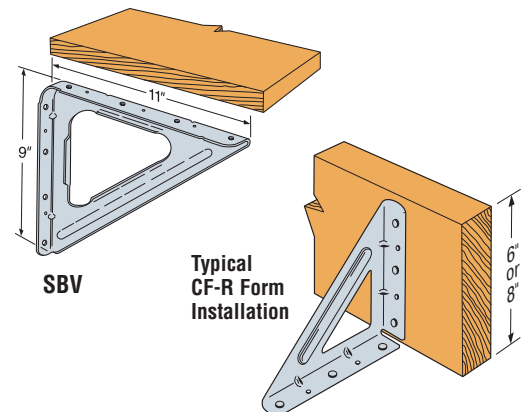
MATERIAL: 16 gauge **FINISH:** Galvanized

INSTALLATION: • Use all specified fasteners. See General Notes.

- SBV—Reversible for nominal 10" or 12" shelves of any thickness.
- CF-R (*Retail Pack*)—Recommended spacing is 36" for 2x's and 18" for 1x's. Use the 5" leg for 6" lumber and the 6" leg for 8" lumber. Holes are sized for ¼" fasteners or 10d commons.

CODES: See page 12 for Code Reference Key Chart.

| Model No. | Fasteners | DF/SP Allowable Downloads (100) | Code Ref. |
|-----------|-------------|---------------------------------|-----------|
| | Stud | | |
| CF-R | 3-SDS ¼"x2" | 135 | 170 |
| SBV | 4-SDS ¼"x2" | 145 | |

**DS** Drywall Stop

Eliminates costly blocking at top plate, end walls, and corners. A typical residence will use several hundred of these inexpensive clips with a substantial savings in blocking and labor.

The installation prongs provide even more labor savings.

MATERIAL: 20 gauge

FINISH: Galvanized

INSTALLATION:

- 16" on center or less, using 8d commons.
- DS should not be used where gypsum board is used for structural loads.

CODES: ICC NER-413, ICC-ER 5672.

