

**L-BOLT** Anchor Bolts

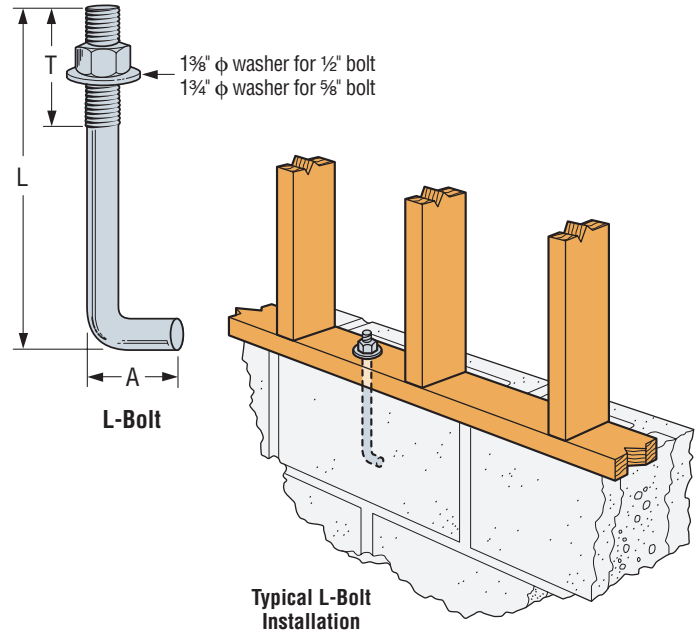
The L-Bolt anchor bolts are used to attach sill plates to concrete or masonry foundations, provide anchorage for light weight post bases and for general anchorage to concrete. The L-Bolt anchor bolts meet the prescriptive requirements of article 9.23.6.1 of the National Building Code of Canada 2005 (NBCC2005).

**MATERIAL:** ASTM A307 Grade A

**FINISH:** Unfinished, available in HDG (per ASTM A153)

These products are available with additional corrosion protection. Additional products on this page may also be available with this option, check with Simpson Strong-Tie for details.

Model No.	Dimensions (in)			
	Diameter	L	T	A
LBOLT50600	1/2	6	1 1/2	1 1/2
LBOLT50800	1/2	8	1 1/2	1 1/2
LBOLT50100	1/2	10	1 1/2	1 1/2
LBOLT50120	1/2	12	1 1/2	1 1/2
LBOLT50180	1/2	18	1 1/2	1 1/2
LBOLT62600HDG	5/8	6	3	1 1/8
LBOLT62800	5/8	8	3	1 1/8
LBOLT62100	5/8	10	3	1 1/8
LBOLT62120	5/8	12	3	1 1/8
LBOLT62160	5/8	16	3	1 1/8
LBOLT62180	5/8	18	3	1 1/8



Typical L-Bolt Installation

**BP/LBP** Bearing Plates

Bearing Plates give greater bearing surface than standard cut washers, and help distribute the load at these critical connections.

The BP<sup>5/8</sup>SKT uses SDS 1/4"x1 1/2" screws to provide lateral resistance when 5/8" diameter sill holes are overdrilled (*screws are provided*). The shear capacity of the connection and the sill/anchor bolt shall be determined by the Designer for each installation.

**MATERIAL:** See table

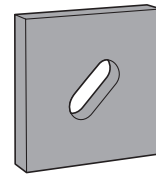
**FINISH:** LBP, LBPS & BP<sup>5/8</sup>S—Galvanized; BP<sup>7/8</sup>-2—Zinc Plated; BPS, BP—None. BP's may be ordered HDG; LBP and LBPS products may be ordered ZMAX<sup>®</sup>; contact Simpson Strong-Tie. Refer to page 10-11 for Corrosion Information.

**INSTALLATION:** See General Notes.

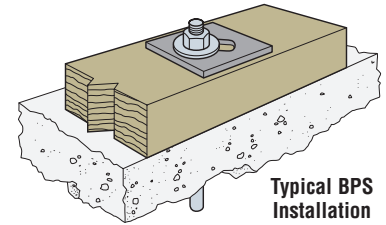
These products are available with additional corrosion protection. Additional products on this page may also be available with this option, check with Simpson Strong-Tie for details.

Model No.	Thickness (in)	Dimensions (in)		Bolt Diameter (in)
		W	L	
LBP <sup>1/2</sup>	9/64	2	2	1/2
LBP <sup>5/8</sup>	9/64	2	2	5/8
LBPS <sup>1/2</sup>	9/64	3	3	1/2
LBPS <sup>5/8</sup>	9/64	3	3	5/8
BPS <sup>1/2</sup> -3	1/4	3	3	1/2
BPS <sup>5/8</sup> -3	1/4	3	3	5/8
BP <sup>1/2</sup>	3/16	2	2	1/2
BP <sup>1/2</sup> -3	1/4	3	3	1/2
BP <sup>5/8</sup> -2	3/16	2	2	5/8
BP <sup>5/8</sup> SKT	3 ga	4	2	5/8
BP <sup>5/8</sup>	1/4	2 1/2	2 1/2	5/8
BP <sup>5/8</sup> -3	1/4	3	3	5/8
BP <sup>3/4</sup>	5/16	2 3/4	2 3/4	3/4
BP <sup>7/8</sup> -2	3/8	1 15/16	2 1/4	7/8
BP <sup>7/8</sup>	5/16	3	3	7/8
BP1	3/8	3 1/2	3 1/2	1

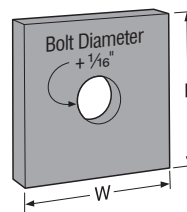
- BP<sup>5/8</sup>SKT sold as a kit.
- Standard cut washer required with BPS<sup>1/2</sup>-3 and BPS<sup>5/8</sup>-3 (*not provided*).



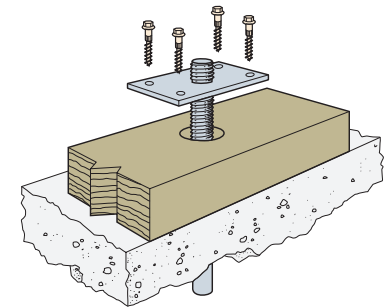
BPS  
(LBPS similar)



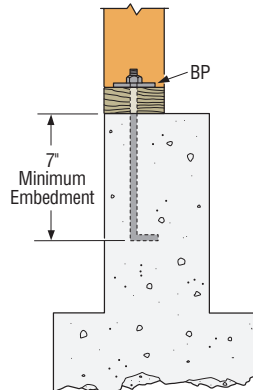
Typical BPS Installation



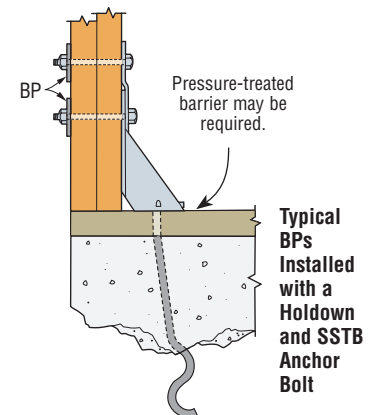
BP  
(LBP similar)



The BP<sup>5/8</sup>SKT is used when 5/8" diameter sill bolt holes are overdrilled



Typical BP Installed with a Mudsill Anchor Bolt



Typical BPs Installed with a Holdown and SST Anchor Bolt