

LCB/CB Column Bases

LCB—Low-cost column base for patios, carports, breezeways and porches.

CB—For columns that require high structural values and rugged performance.

MATERIAL: See table

FINISH: LCB, CB44, CB46, CB66—galvanized; all other CB (including all CBGT)—Simpson gray paint or HDG

INSTALLATION: • Use all specified fasteners. See General Notes.

- For full loads, minimum side cover required is 3" for CB, 2" for LCB.
- Install all models with bottom of base plate flush with concrete.

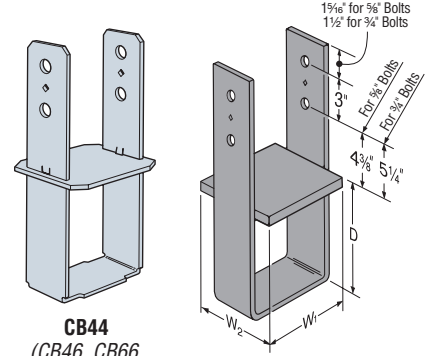
- Post bases do not provide adequate resistance to prevent members from rotating about the base and therefore are not recommended for non top-supported installations (such as fences or unbraced carports).
- Contact engineered wood manufacturers for connections that are not through the wide face.

OPTIONS: • The LCB may be shipped unassembled; specify "Disassembled".

- LCB and CB are available in rough size. Other sizes available for CB specify W₁ and W₂ dimensions. Consult Simpson Strong-Tie for bolt sizes and factored resistances. See PBS.
- For rebar option add "GT" to the model name, i.e., CBGT44.

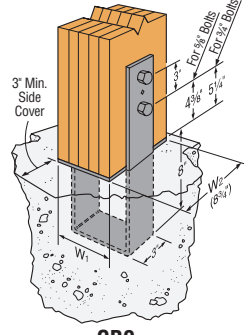
These products are available with additional corrosion protection. Additional products on this page may also be available with this option, check with Simpson Strong-Tie for details.

Model No.	Nominal Column Size	Material		Dimensions (in)			Column Fasteners		Factored Uplift Resistance (K _D =1.15)				
		Strap (Ga x Width)	Base (Ga)	W ₁	W ₂	D	Nails	Machine Bolts	D.Fir-L		S-P-F		
									Nails	lbs	lbs	lbs	lbs
LCB44	4x4	12 ga x 2	16	3 3/16	3 1/2	6 1/2	12-16d	2	1/2	3960	5155	2790	4785
CB44	4x4	7 ga x 2	7	3 3/16	3 3/16	8	—	2	5/8	—	6305	—	5485
LCB46	4x6	12 ga x 2	16	3 3/16	5 1/2	6 1/2	12-16d	2	1/2	3960	5155	2790	4785
CB46	4x6	7 ga x 2	7	3 3/16	5 1/2	8	—	2	5/8	—	6305	—	5485
CB48	4x8	7 ga x 2	7	3 3/16	7 1/2	8	—	2	5/8	—	6305	—	5485
CB5-4.5	GLULAM	7 ga x 3	7	4 1/2	5 3/8	8	—	2	5/8	—	6305	—	5485
CB5-6	GLULAM	7 ga x 3	7	6	5 3/8	8	—	2	5/8	—	6305	—	5485
LCB66	6x6	12 ga x 2	16	5 1/2	5 1/2	5 1/2	12-16d	2	1/2	3960	5155	2790	4785
CB66	6x6	7 ga x 3	7	5 1/2	5 1/2	8	—	2	5/8	—	6305	—	5485
CB6-7	6x	7 ga x 3	7	5 1/2	7	8	—	2	5/8	—	6305	—	5485
CB7 1/2-4	PSL	3 ga x 3	7	7 1/8	3 1/2	8	—	2	3/4	—	9985	—	9255
CB7 1/2-6	PSL	3 ga x 3	7	7 1/8	5 1/2	8	—	2	3/4	—	9985	—	9255
CB7 1/2-7	PSL	3 ga x 3	7	7 1/8	7	8	—	2	3/4	—	9985	—	9255
CB68	6x8	7 ga x 3	7	5 1/2	7 1/2	8	—	2	5/8	—	6305	—	5485
CB7-6	GLULAM	3 ga x 3	7	6	6 3/4	8	—	2	3/4	—	9985	—	9255
CB7-7.5	GLULAM	3 ga x 3	7	7 1/2	6 3/4	8	—	2	3/4	—	9985	—	9255
CB7-9	GLULAM	3 ga x 3	7	9 1/16	6 3/4	8	—	2	3/4	—	9985	—	9255
CB7-10.5	GLULAM	3 ga x 3	7	10 9/16	6 3/4	8	—	2	3/4	—	9985	—	9255
CB86	8x6	3 ga x 3	7	7 1/2	5 1/2	8	—	2	3/4	—	9985	—	9255
CB88	8x8	3 ga x 3	7	7 1/2	7 1/2	8	—	2	3/4	—	9985	—	9255
CB9-6	GLULAM	3 ga x 3	7	6	8 3/4	8	—	2	3/4	—	9985	—	9255
CB9-7.5	GLULAM	3 ga x 3	7	7 1/2	8 3/4	8	—	2	3/4	—	9985	—	9255
CB9-9	GLULAM	3 ga x 3	7	9	8 3/4	8	—	2	3/4	—	9985	—	9255
CB9-10.5	GLULAM	3 ga x 3	7	10 1/2	8 3/4	8	—	2	3/4	—	9985	—	9255
CB1010	10x10	3 ga x 3	3	9 1/2	9 1/2	8	—	2	3/4	—	9985	—	9255
CB1012	10x12	3 ga x 3	3	9 1/2	11 1/2	8	—	2	3/4	—	9985	—	9255
CB1212	12x12	3 ga x 3	3	11 1/2	11 1/2	8	—	2	3/4	—	9985	—	9255

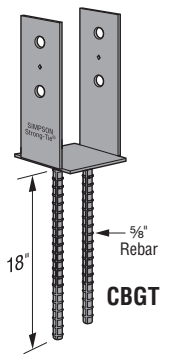


CB44
(CB46, CB66, CB88 similar)

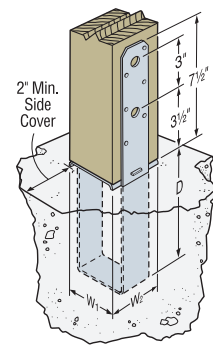
Configuration of all other CB sizes



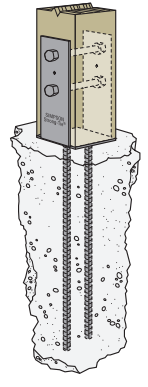
CB9
(CB5, CB7 similar) for Glulam Column



CBGT



LCB



Typical CBGT Installed

1. Factored uplift resistances have been increased 15% for earthquake or wind loading, with no further increase allowed; reduce where other loads govern.
2. PSL is parallel strand lumber.
3. Factored resistances shown assume dry service condition (K_{SF}=1.00). Multiply table values by 0.67 for uplift under wet service conditions. See 5.4.2 CSA 086-01 for normal loading under wet service conditions.
4. Factored uplift resistance for CBGT option is 4350 lbs (19.35 kN).
5. LCB products may be installed with either bolts OR nails (not both) to achieve table values.
6. Designer is responsible for concrete design.
7. Structural composite lumber columns have sides that show either the wide face or the edges of the lumber strands/veneers. Values in the tables reflect installation into the wide face.
8. **NAILS:** 16d = 0.162" dia. x 3 1/2" long. See page 16-17 for other nail sizes and information.