

THGQ/THGQH Truss Girder Hangers



This product is preferable to similar connectors because of
a) easier installation, b) higher loads, c) lower installed cost,
or a combination of these features.

The THGQ and THGQH hangers for multi-ply girder trusses use SDS screws to provide high load capacities and easier installation compared to bolts. Both models offer minimum and maximum fastener quantities to accommodate varying design needs.

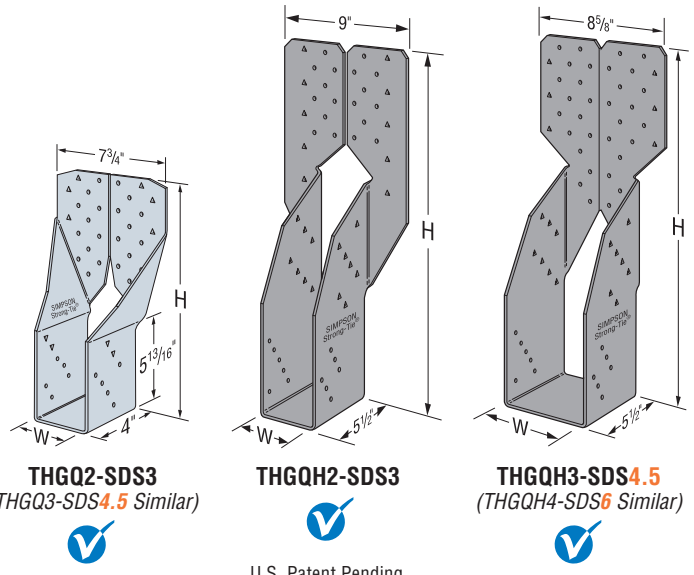
MATERIAL: THGQ—7 gauge, THGQH—3 gauge

FINISH: THGQ—Galvanized, THGQH—Simpson gray paint

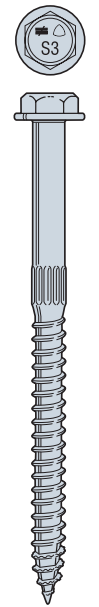
INSTALLATION: • Use all specified fasteners. See General Notes.

- Can be installed filling round holes only, or filling round and triangle holes for maximum values.
- SDS screws supplied for all round and triangle holes. Installation may not require use of all SDS screws.
- All multiple members must be fastened together to act as a single unit.
- Girders must be adequately laterally braced to prevent excessive displacement due to secondary torsional stresses.
- SDS screws driven through truss plates must be approved by the truss designer. Pre-drilling using a 5/32" bit is required.
- **Requires attachment to a minimum 2-ply girder.**
- **The thickness of the supporting girder must be equal to or greater than the screw length. For applications where the length of the supplied screws exceeds the thickness of the supporting girder, 3" or 4 1/2" screws may be substituted for the longer length screws with no load reduction, or a shim block may used as approved by the Designer.**

OPTIONS: THGQH hangers may be skewed 45 degrees, see Hanger Options on pages 183.



Model No.	Dimension (in.)		Max. B.C. Depth	Min. Vert. Web Size	Fasteners		Factored Resistance			
	W	H			Header	Joist	D. Fir-L		S-P-F	
							Uplift (K _D =1.15)	Normal (K _D =1.00)	Uplift (K _D =1.15)	Normal (K _D =1.00)
THGQ2-SDS3 (Min)	3 5/16	16	2x6	2x8	22-SDS 1/4"x3"	10-SDS 1/4"x3"	4380	11445	3880	10140
THGQ2-SDS3 (Max)	3 5/16	16	2x6	2x10	28-SDS 1/4"x3"	14-SDS 1/4"x3"	19.51	50.98	17.28	45.17
THGQH2-SDS3 (Min)	3 5/16	25	2x10	2x8	18-SDS 1/4"x3"	14-SDS 1/4"x3"	6130	15075	5430	12100
THGQH2-SDS3 (Max)	3 5/16	25	2x10	2x10	28-SDS 1/4"x3"	26-SDS 1/4"x3"	27.31	67.15	24.19	53.90
THGQ3-SDS4.5 (Min)	4 1/16	16	2x6	2x8	22-SDS 1/4"x4 1/2"	10-SDS 1/4"x4 1/2"	5010	11480	4440	10175
THGQ3-SDS4.5 (Max)	4 1/16	16	2x6	2x10	28-SDS 1/4"x4 1/2"	14-SDS 1/4"x4 1/2"	22.32	51.13	19.78	45.32
THGQH3-SDS4.5 (Min)	4 1/16	25	2x10	2x10	32-SDS 1/4"x4 1/2"	14-SDS 1/4"x4 1/2"	12140	18455	10760	16120
THGQH3-SDS4.5 (Max)	4 1/16	25	2x10	2x12	38-SDS 1/4"x4 1/2"	26-SDS 1/4"x4 1/2"	54.08	82.20	47.93	71.80
THGQH4-SDS6 (Min)	6 5/16	25	2x12	2x10	34-SDS 1/4"x6"	14-SDS 1/4"x6"	4380	11445	3880	10140
THGQH4-SDS6 (Max)	6 5/16	25	2x12	2x12	40-SDS 1/4"x6"	26-SDS 1/4"x6"	19.51	50.98	17.28	45.17
							6130	16815	5430	14895
							27.31	74.90	24.19	66.35
							5010	15835	4440	14035
							22.32	70.53	19.78	62.51
							12140	18805	10760	16665
							54.08	83.76	47.93	74.23
							5010	21085	4440	18685
							22.32	93.92	19.78	83.23
							12140	24805	10760	21985
							54.08	110.49	47.93	97.93



SDS 1/2"x3"
(See page 15)

1. Factored resistances have been increased 15% for earthquake or wind load with no further increase allowed; reduce where other loads govern.
2. Minimum 2-ply girder required for SDS 1/4"x3" screws.
3. Connector must be installed centered on girder vertical webs.
4. Minimum bottom chord depth for joist to be 2x6.

