

VTC2 Valley Truss Clip



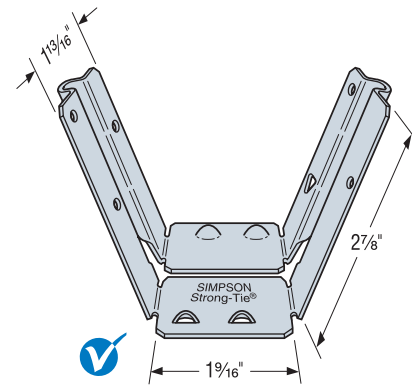
This product is preferable to similar connectors because of a) easier installation, b) higher loads, c) lower installed cost, or a combination of these features.

The VTC2 is a valley truss to common truss connector. VTC2 is installed on top of the roof sheathing. It provides a positive connection and eliminates the costly support wedge underneath the valley truss or valley truss bottom chord bevel cutting. VTC2 is adjustable to slopes between 2:12 to 8:12.

MATERIAL: 18 gauge **FINISH:** Galvanized

INSTALLATION: • See installation sequence below.

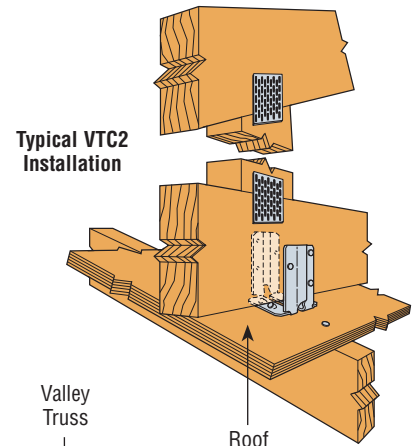
- Use all specified fasteners. See General Notes.
- The dome nail holes assist in installing the common truss fasteners slanted at an angle approximately 55° from the horizontal level line.
- Install two 10d x 1½" nails in one vertical stirrup and three 10d x 1½" nails in the other vertical stirrup to the valley truss bottom chord.
- For use with ½" sheathing.



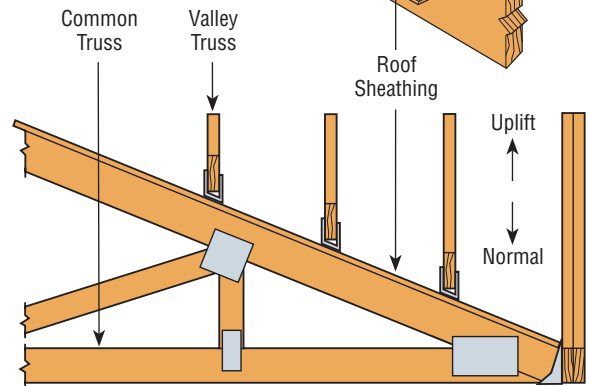
VTC2
U.S. Patent 6,840,020

Model No.	Fasteners		Factored Resistance			
	Common Truss	Valley Truss	D.Fir-L		S-P-F	
			Uplift (K _D =1.15) lbs kN	Normal (K _D =1.00) lbs kN	Uplift (K _D =1.15) lbs kN	Normal (K _D =1.00) lbs kN
VTC2	4-10d	5-10d x 1½"	620 2.76	1180 5.26	445 1.98	845 3.76

1. Factored uplift resistances have been increased 15% for wind or earthquake loading. Reduce where other loads govern.
3. **NAILS:** 10d = 0.148" dia. x 3" long, 10d x 1½" = 0.148" dia. x 1½" long. See page 16-17 for other nail sizes and information.

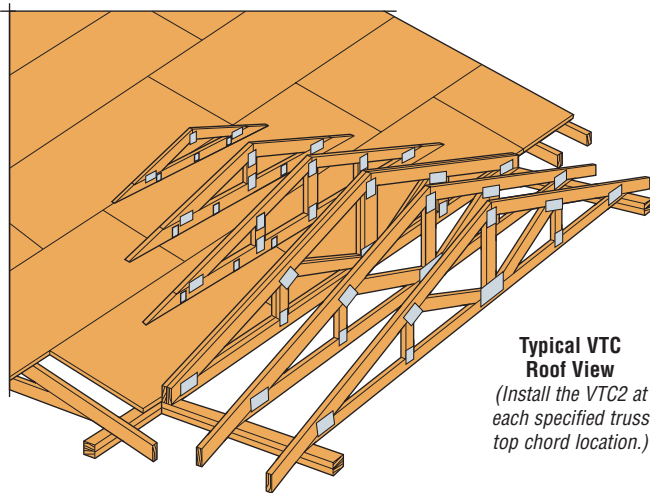


Typical VTC2 Installation



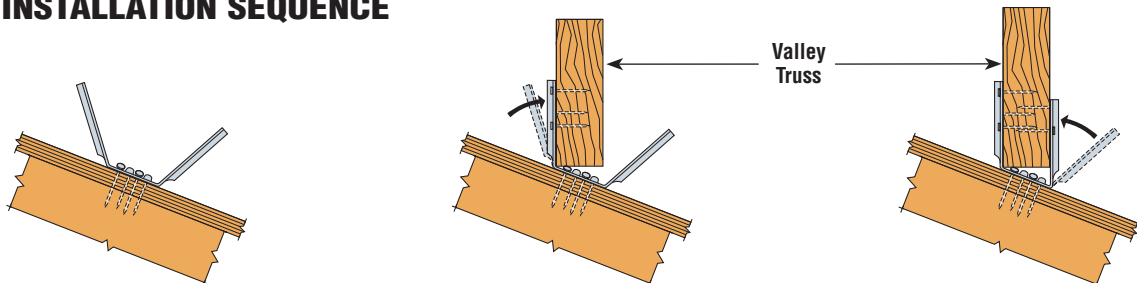
Typical VTC2 Side View

Plated Truss Connectors



Typical VTC Roof View
(Install the VTC2 at each specified truss top chord location.)

VTC2 INSTALLATION SEQUENCE



STEP 1:
Align the centerline of VTC2 with the common truss top chord centerline. Attach through the roof sheathing to the common truss top chord.

STEP 2:
Adjust the upslope stirrup vertically and attach to valley truss bottom chord.

STEP 3:
Adjust the downslope stirrup vertically and attach to bottom chord. Bend stirrups one time only.