

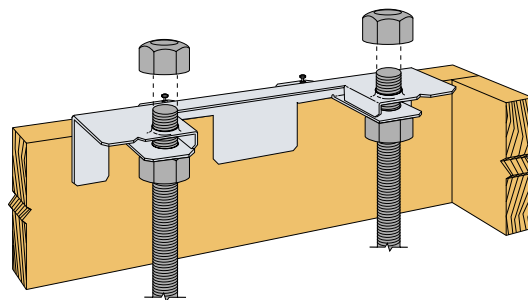
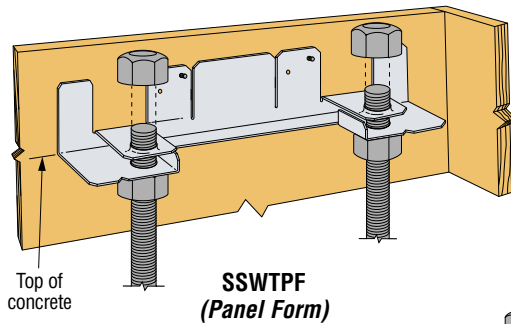
STEEL STRONG-WALL®: Anchor Bolt Templates

STEEL STRONG-WALL® ANCHOR BOLT TEMPLATES

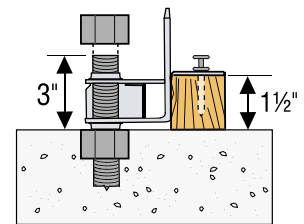
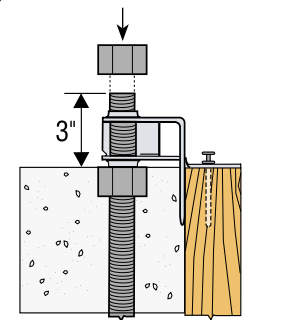
| Steel Strong-Wall Model | Width (in) | Steel Strong-Wall Template Model | | |
|-------------------------|------------|----------------------------------|------------|-------------|
| | | Reversible | Panel Form | Brick Ledge |
| SSW12 | 12 | SSWT12 | SSWTPF12 | SSWTBL12 |
| SSW15 | 15 | SSWT15 | SSWTPF15 | SSWTBL15 |
| SSW18 | 18 | SSWT18 | SSWTPF18 | SSWTBL18 |
| SSW21 | 21 | SSWT21 | SSWTPF21 | SSWTBL21 |
| SSW24 | 24 | SSWT24 | SSWTPF24 | SSWTBL24 |

*SSWT templates are reversible. Use the same template for interior or exterior applications. Template and nut configuration patent pending.

1. The height of the garage curb above the garage slab is critical for rough header opening at garage return walls.
2. Templates are recommended and are required in some jurisdictions.
3. Foundation by Designer.
4. Templates are the same for 4" or 6" thick walls.



An additional nut for template installation is provided with each SSWAB. It may also be used for SSW installation.



Anchor Bolt Height

