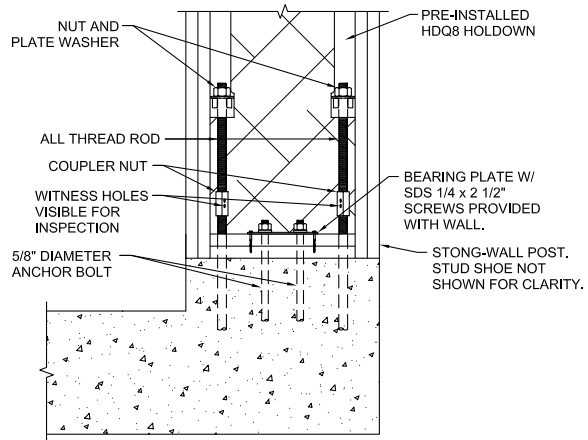
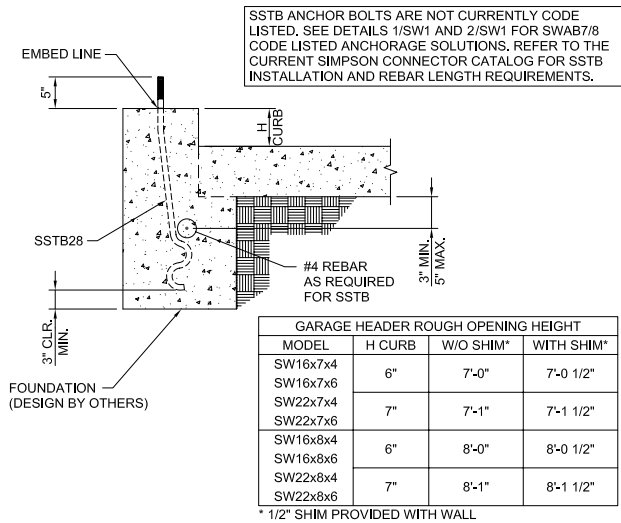
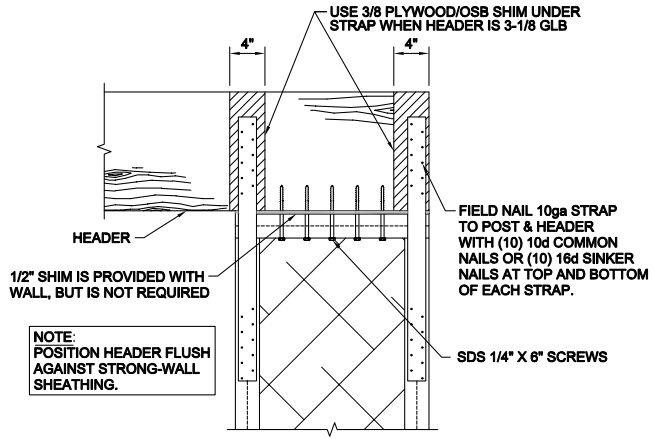
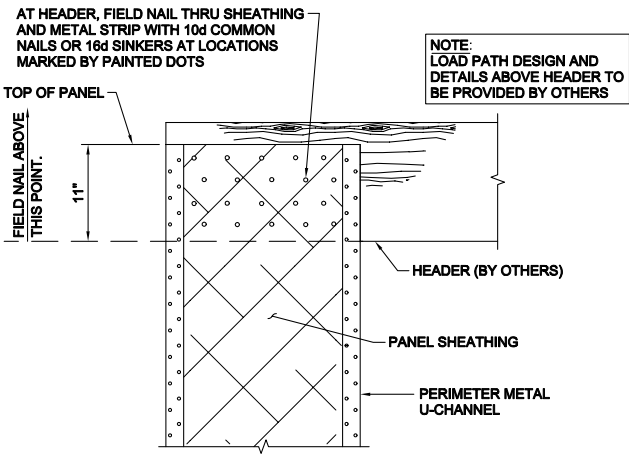


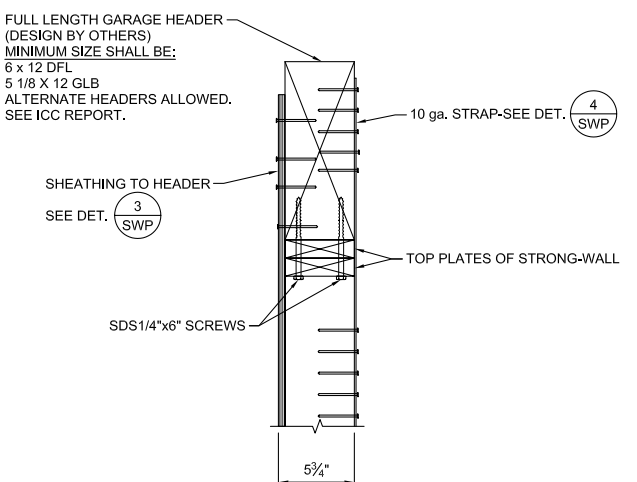
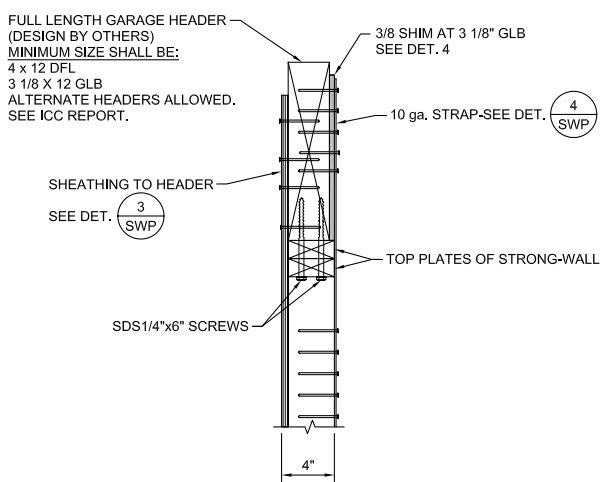
# WOOD STRONG-WALL®: Installation Details



**SSTB ANCHORAGE** **1/SWP** **PORTAL WALL SILL** **2/SWP**



**TOP OF WALL CONNECTION** **3/SWP** **TOP OF WALL CONNECTION** **4/SWP**



**4\"/>**

C-SW09 © 2009 SIMPSON STRONG-TIE COMPANY INC.