

FSC Floor Span Connector

As an alternative to coil strap, our new FSC-Floor Span Connector connects upper floors to lower floors from the inside of the wall. The convenient obround holes make installation in narrow wall cavities easy. Installs with a 3/8" all thread rod, nut and washer (not included).

MATERIAL: See table

FINISH: Galvanized

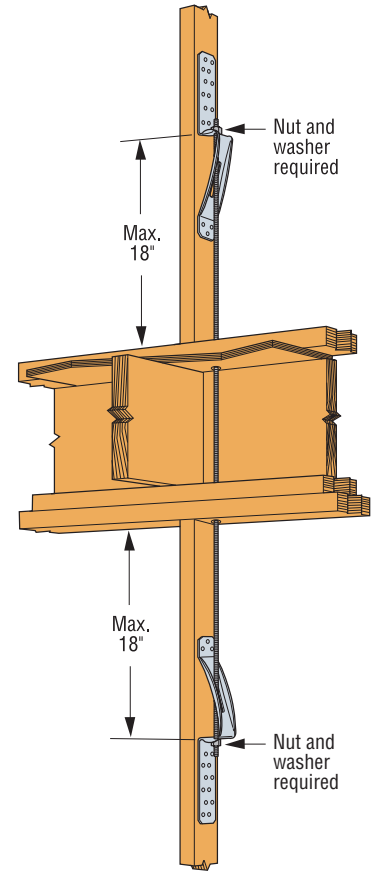
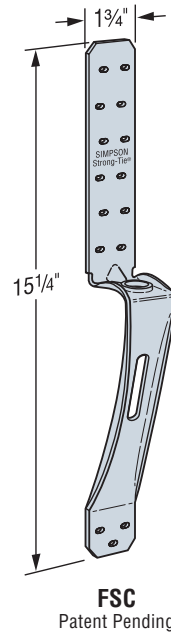
INSTALLATION:

- Can be used on a single 2x stud.
- Threaded rod, washers and nuts are not supplied with the FSC.
- Use 3/8" threaded rod grade A307 or better, with matching nuts and cut washers.
- FSC may be installed a maximum of 18" from the sill or top plates.
- Drill 1/2" to 3/4" diameter hole through the plates for threaded rod access, hole should be located approximately 1 1/2" away from the face of stud used for FSC attachment.
- Nails can be installed up to 30 degree angle with no reduction in load capacity.

CODES: See page 12 for Code Reference Key Chart.

Model No.	Ga	Fasteners		Allowable Tension Load		Code Ref.
		Stud	Anchor	DF/SP (160)	SPF/HF (160)	
FSC	12	15-10dx1 1/2	3/8" ATR	1830	1570	IP1, F25

1. The allowable loads have been increased 60% for wind or earthquake loading with no further increase allowed; reduce where other loads govern.
2. Load values are based on a minimum lumber thickness of 1 1/2".
3. Standard cut washer is required with the 3/8" all thread rod.
4. The FSC can be used on offset studs provided the horizontal offset is no greater than 3". Refer to flier F-FSC for more information (see page 191 for details).
5. **NAILS:** 10dx1 1/2 = 0.148" dia. x 1 1/2" long. See page 16-17 for other nail sizes and information.



Typical FSC Installation

MSTC48B3/MSTC66B3 Pre-Bent Straps

The MSTC48B3 and MSTC66B3 are pre-bent straps designed to transfer tension load from an upper story shearwall to a beam on the story below.

MATERIAL: 14 gauge

FINISH: Galvanized

CODES: See page 12 for Code Reference Key Chart.

Model No.	Dimensions		Fasteners			Allowable Tension Loads		Code Ref.
	Beam		Beam		Studs/Post	DF/SP (160)	SPF/HF (160)	
	Width (min)	Depth (min)	Face	Bottom				
MSTC48B3	3	9 1/4	12-10d	4-10d	38-10d	3930	3380	F26
MSTC66B3	3 1/2	11 1/4	14-10d			4440	3820	

1. Using fewer than 38 nails in the studs/post will reduce the capacity of the connection. To calculate a reduced capacity use 129 lbs. per nail for DFL/SYP or 112 lbs. per nail for HF/SPF.
2. Nails in studs/post shall be installed symmetrically. Nails may be installed over the entire length of the strap over the studs/post.
3. The 3" wide beam may be double 2x members.
4. MSTC48B3 and MSTC66B3 installed over wood structural panel sheathing up to 1/2" thick achieve 0.85 of table loads.
5. Loads govern by the lower of .125" deflection from static tests on wood members, steel ultimate divided by 2, or the calculated nail values.
6. **NAILS:** 16d = 0.162" dia. x 3 1/2" long, 10d = 0.148" dia. x 3" long. See page 16-17 for other nail sizes and information.

