

ARCHITECTURAL PRODUCTS GROUP

CONCEALED JOIST TIES

The CJT is a concealed connector. It can be installed three ways: with no routing of header/post or beam; a routed header/post, or a routed beam.

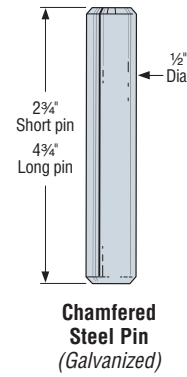
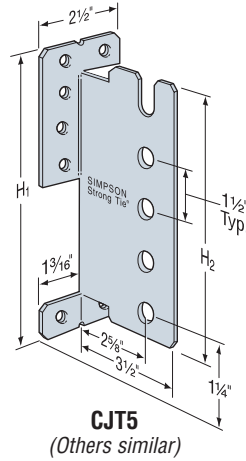
MATERIAL: 12 gauge **FINISH:** Galvanized

INSTALLATION: • Use all specified fasteners.
See General Notes.

- The CJT Pack is supplied with all pins and screws required. Screws require a hex head driver.
- Router end of beam for screw heads for flush installation.
- The joist/beam may be sloped to 45° with full table loads.
- To provide maximum beam width for use with short pins, center in beam.
- To order: specify short (e.g. CJT3S) or long pins (e.g. CJT3L) (see footnote #1 below).

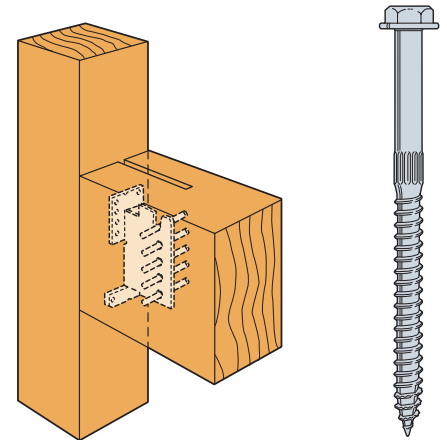
OPTIONS: See technical bulletin T-CJT (see page 191 for details).

CODES: See page 12 for Code Reference Key Chart.



WARNING:
This connector requires special attention to ensure correct installation. The beam must be installed perpendicular to the support member. The connection's components may be damaged if the beam is rotated from its opposite end during or after installation. Damaged components may not be noticeable and may reduce the connector's load carrying capacity.

| Model No. | Min. Joist Size | Dimensions | | SDS | Fasteners Pins (2 3/4" or 4 3/4") ² | Allowable Loads | | | | Code Ref. |
|--------------------|-----------------|----------------|----------------|-----|--|-----------------|-------------|------------|------------|-------------|
| | | H ₁ | H ₂ | | | Uplift (160) | Floor (100) | Snow (115) | Roof (125) | |
| DOUGLAS FIR | | | | | | | | | | |
| CJT3 | 4x8 | 5 5/16 | 4 7/16 | 6 | 3 | 1655 | 1050 | 1050 | 1050 | I18, F17 |
| CJT4 | 4x10 | 7 | 5 15/16 | 8 | 4 | 2460 | 2440 | 2805 | 2815 | |
| CJT5 | 4x12 | 8 9/16 | 7 7/16 | 10 | 5 | 3255 | 3005 | 3455 | 3755 | |
| CJT6 | 4x12 | 10 | 8 15/16 | 12 | 6 | 4005 | 3535 | 3990 | 3990 | |
| GLULAM BEAM | | | | | | | | | | |
| CJT3 | 3 1/8 x 7 1/2 | 5 5/16 | 4 7/16 | 6 | 3 | 1655 | 1240 | 1240 | 1240 | I18, F17 |
| CJT4 | 3 1/8 x 9 | 7 | 5 15/16 | 8 | 4 | 2460 | 2440 | 2805 | 2900 | |
| CJT5 | 3 1/8 x 10 1/2 | 8 9/16 | 7 7/16 | 10 | 5 | 3255 | 3005 | 3455 | 3755 | |
| CJT6 | 3 1/8 x 12 | 10 | 8 15/16 | 12 | 6 | 4005 | 3535 | 4065 | 4420 | |
| PSL | | | | | | | | | | |
| CJT3 | 3 1/2 x 9 1/2 | 5 5/16 | 4 7/16 | 6 | 3 | 1655 | 1840 | 2115 | 2160 | I18, F17 |
| CJT4 | 3 1/2 x 9 1/2 | 7 | 5 15/16 | 8 | 4 | 2460 | 2145 | 2145 | 2145 | |
| CJT5 | 3 1/2 x 9 1/2 | 8 9/16 | 7 7/16 | 10 | 5 | 3255 | 3005 | 3455 | 3755 | |
| CJT6 | 3 1/2 x 11 7/8 | 10 | 8 15/16 | 12 | 6 | 4005 | 3535 | 4065 | 4420 | |



Typical CJT Installation
(Note that pins should be centered within beam)

SDS 1/4"x3"
U.S. Patent
6,109,850
5,897,280
5,044,853

1. Center pin in beam. Short pin (2 3/4") for use with 3 1/8 GLB, 4x sawn lumber or 3 1/2" wide PSL. Long pin (4 3/4") for use with 5 1/8 GLB, 6x sawn lumber or greater widths.
2. See technical bulletin T-CJT for additional load information with long pins (see page 191 for details).

ORNAMENTAL – JOIST HANGER

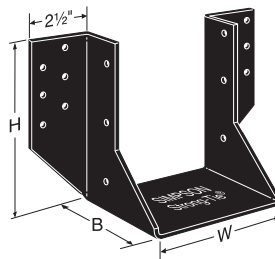
The OHU Ornamental Joist Hangers are heavy duty, load-rated joist hangers that are attached with Simpson Strong-Tie® Strong-Drive® 1/4"x3" double-barrier coating wood screws (SDS) (supplied with product).

MATERIAL: 12 gauge

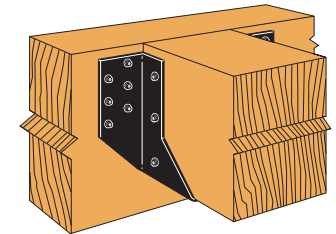
FINISH: Textured powder-coated flat black paint.

OPTIONS: No modifications.

CODES: See page 12 for Code Reference Key Chart.



OHU



Typical OHU Installation

| Model No. | Joist Size | Ga | Dimensions | | | No. of SDS 1/4"x3" Wood Screws | | DF/SP | | | | SPF/HF | | | | Code Ref. |
|-------------|------------|----|------------|--------|---|--------------------------------|-------|--------------|-------------|------------|------------|--------------|-------------|------------|------------|-----------|
| | | | W | H | B | Face | Joist | Uplift (160) | Floor (100) | Snow (115) | Roof (125) | Uplift (160) | Floor (100) | Snow (115) | Roof (125) | |
| | | | | | | | | | | | | | | | | |
| OHU46-SDS3 | 4x6 | 12 | 3 3/16 | 5 | 4 | 6 | 4 | 1930 | 2520 | 2900 | 3150 | 1390 | 1800 | 2070 | 2250 | 170 |
| OHU48-SDS3 | 4x8 | 12 | 3 3/16 | 6 3/4 | 4 | 8 | 6 | 2765 | 3360 | 3865 | 4200 | 1990 | 2400 | 2760 | 3000 | |
| OHU410-SDS3 | 4x10 | 12 | 3 3/16 | 8 3/4 | 4 | 12 | 6 | 2765 | 5040 | 5795 | 6300 | 1990 | 3600 | 4140 | 4500 | |
| OHU412-SDS3 | 4x12 | 12 | 3 3/16 | 10 3/4 | 4 | 12 | 8 | 3565 | 5040 | 5795 | 6300 | 2570 | 3600 | 4140 | 4500 | |
| OHU414-SDS3 | 4x14 | 12 | 3 3/16 | 12 3/4 | 4 | 14 | 10 | 3565 | 5880 | 6760 | 7350 | 2570 | 4200 | 4830 | 5250 | |
| OHU66-SDS3 | 6x6 | 12 | 5 1/2 | 5 | 4 | 6 | 4 | 1930 | 2520 | 2900 | 3150 | 1390 | 1800 | 2070 | 2250 | |
| OHU68-SDS3 | 6x8 | 12 | 5 1/2 | 7 | 4 | 12 | 6 | 2765 | 5040 | 5795 | 5955 | 1990 | 3600 | 4140 | 4290 | |
| OHU610-SDS3 | 6x10 | 12 | 5 1/2 | 9 | 4 | 14 | 6 | 2765 | 5880 | 6760 | 6885 | 1990 | 4200 | 4830 | 4960 | |
| OHU612-SDS3 | 6x12 | 12 | 5 1/2 | 11 | 4 | 16 | 8 | 3565 | 6720 | 7730 | 7815 | 2570 | 4800 | 5520 | 5630 | |
| OHU614-SDS3 | 6x14 | 12 | 5 1/2 | 13 | 4 | 18 | 10 | 3565 | 7560 | 8695 | 8745 | 2570 | 5400 | 6210 | 6300 | |

1. Allowable uplift loads have been increased 60% for wind or earthquake loading with no further increase allowed; reduce where other loads govern.