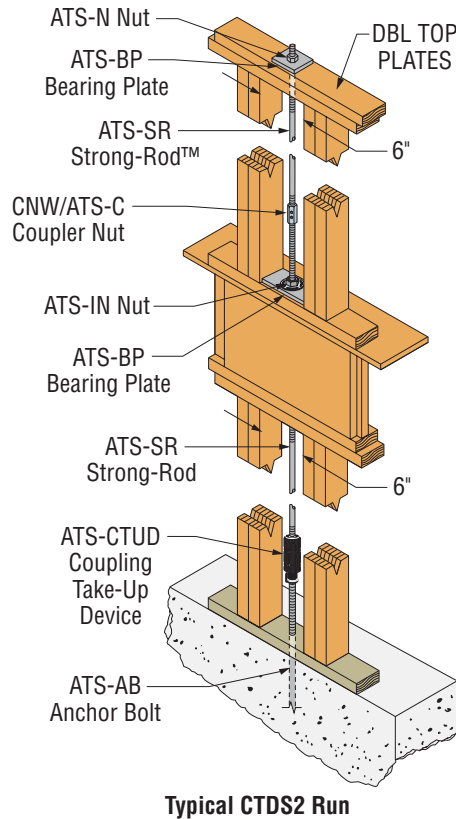


## TWO STORY SYSTEMS

## ATS Load Capacities for Two Story Applications: Douglas Fir &amp; Southern Pine

Level	Two Story Systems	CTDS21			CTDS22			CTDS23		
		DF	SP	Component	DF	SP	Component	DF	SP	Component
		Capacity			Capacity			Capacity		
Two	Incremental Bearing Capacity (lb)	10540	9530	ATS-N5 ATS-BP5-3X5.5	10540	9530	ATS-N5 ATS-BP5-3X5.5	10280	9290	ATS-N7 ATS-BP7-3X5.5
	Allowable Tension Capacity (100/133) (lb)	6075 / 8100		ATS-SR5 ATS-C55	6075 / 8100		ATS-SR5 ATS-C75	11905 / 15875		ATS-SR7 ATS-C97
One	Incremental Bearing Capacity (lb)	6775	6125	ATS-IN5 ATS-BP5-3X3.5	10280	9290	ATS-IN7 ATS-BP7-3X5.5	9950	8995	ATS-IN9 ATS-BP9-3X5.5
	Allowable Tension Capacity (100/133) (lb)	6075 / 8100		ATS-SR5 ATS-CTUD55	11905 / 15875		ATS-SR7 ATS-CTUD77	19680 / 26240		ATS-SR9 ATS-CTUD99
Anchorage	Anchor Bolt Grade and Size	See page 17 for min. embedment and edge distance		ATS-AB5	See page 17 for min. embedment and edge distance		ATS-AB7	See page 17 for min. embedment and edge distance		ATS-AB9

1. See General Notes for additional information.
2. These tables provide the individual ASD capacities of the ATS components. The component capacities at each level must be considered by the Designer. See the design example on pages 19 & 20 for more information.

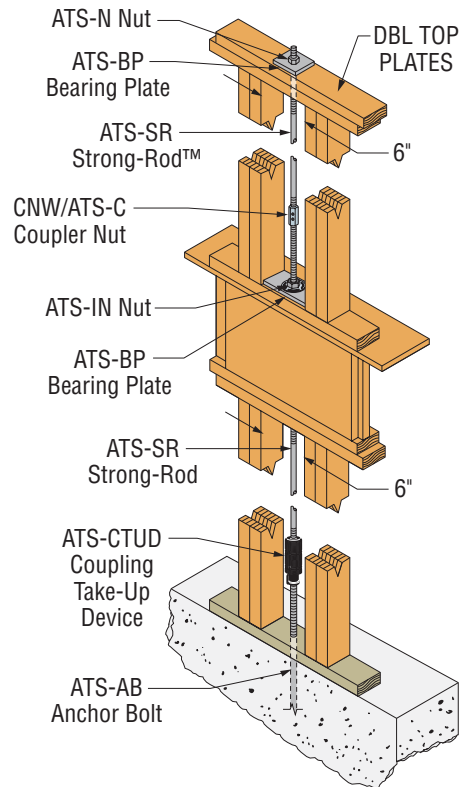


## TWO STORY SYSTEMS

## ATS Load Capacities for Two Story Applications: Hem Fir &amp; Spruce Pine Fir

Level	Two Story Systems	CTDS21B			CTDS22B			CTDS23B		
		HF	SPF	Component	HF	SPF	Component	HF	SPF	Component
		Capacity			Capacity			Capacity		
Two	Incremental Bearing Capacity (lb)	6830	7165	ATS-N5 ATS-BP5-3X5.5	6830	7165	ATS-N5 ATS-BP5-3X5.5	10175	10675	ATS-N7 DW7 ATS-BP10-3X9
	Allowable Tension Capacity (100/133) (lb)	6075 / 8100		ATS-SR5 ATS-C55	6075 / 8100		ATS-SR5 ATS-C75	11905 / 15875		ATS-SR7 ATS-C97
One	Incremental Bearing Capacity (lb)	4390	4605	ATS-IN5 ATS-BP5-3X3.5	6660	6990	ATS-IN7 ATS-BP7-3X5.5	6450	6765	ATS-IN9 ATS-BP9-3X5.5
	Allowable Tension Capacity (100/133) (lb)	6075 / 8100		ATS-SR5 ATS-CTUD55	11905 / 15875		ATS-SR7 ATS-CTUD77	19680 / 26240		ATS-SR9 ATS-CTUD99
Anchorage	Anchor Bolt Grade and Size	See page 17 for min. embedment and edge distance		ATS-AB5	See page 17 for min. embedment and edge distance		ATS-AB7	See page 17 for min. embedment and edge distance		ATS-AB9

1. See General Notes for additional information.
2. These tables provide the individual ASD capacities of the ATS components. The component capacities at each level must be considered by the Designer. See the design example on pages 19 & 20 for more information.



Typical CTDS2 Run