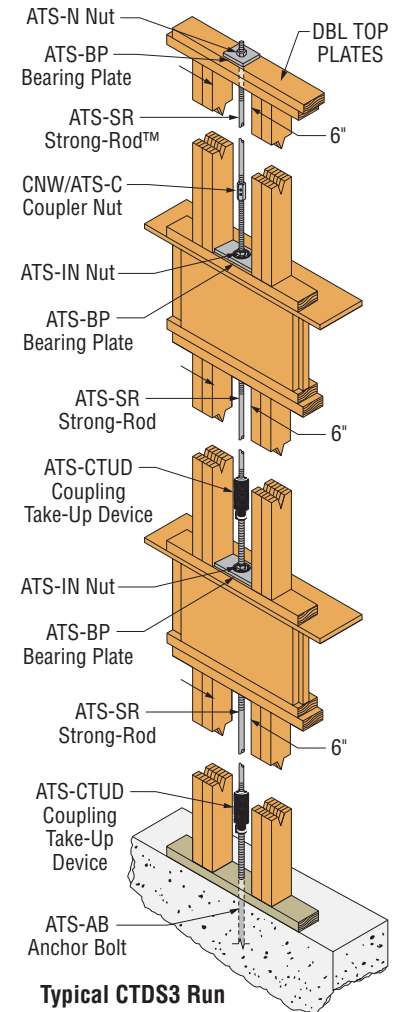


THREE STORY SYSTEMS

ATS Load Capacities for Three Story Applications: Douglas Fir & Southern Pine

Level	Three Story Systems	CTDS31			CTDS32		
		DF	SP	Component	DF	SP	Component
		Capacity			Capacity		
Three	Incremental Bearing Capacity (lb)	10540	9530	ATS-N5 ATS-BP5-3X5.5	10540	9530	ATS-N5 ATS-BP5-3X5.5
	Allowable Tension Capacity (100/133) (lb)	6075 / 8100		ATS-SR5 ATS-C55	6075 / 8100		ATS-SR5 ATS-C55
Two	Incremental Bearing Capacity (lb)	6775	6125	ATS-IN5 ATS-BP5-3X3.5	6775	6125	ATS-IN5 ATS-BP5-3X3.5
	Allowable Tension Capacity (100/133) (lb)	6075 / 8100		ATS-SR5 ATS-CTUD55	6075 / 8100		ATS-SR5 ATS-CTUD75
One	Incremental Bearing Capacity (lb)	6775	6125	ATS-IN5 ATS-BP5-3X3.5	10280	9290	ATS-IN7 ATS-BP7-3X5.5
	Allowable Tension Capacity (100/133) (lb)	6075 / 8100		ATS-SR5 ATS-CTUD55	11905 / 15875		ATS-SR7 ATS-CTUD77
Anchorage	Anchor Bolt Grade and Size	See page 17 for min. embedment and edge distance		ATS-AB5	See page 17 for min. embedment and edge distance		ATS-AB7



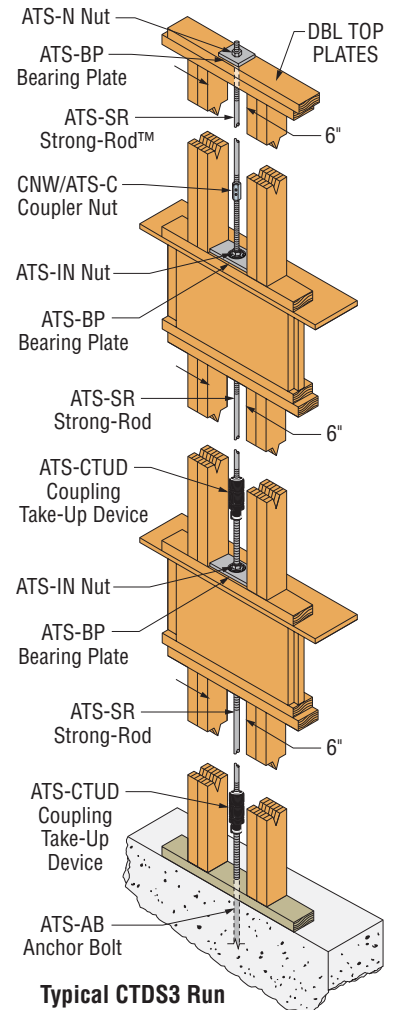
Level	Three Story Systems	CTDS33			CTDS34			CTDS35		
		DF	SP	Component	DF	SP	Component	DF	SP	Component
		Capacity			Capacity			Capacity		
Three	Incremental Bearing Capacity (lb)	10540	9530	ATS-N5 ATS-BP5-3X5.5	10280	9290	ATS-N7 ATS-BP7-3X5.5	10280	9290	ATS-N7 ATS-BP7-3X5.5
	Allowable Tension Capacity (100/133) (lb)	6075 / 8100		ATS-SR5 ATS-C75	11905 / 15875		ATS-SR7 ATS-C77	11905 / 15875		ATS-SR7 ATS-C77
Two	Incremental Bearing Capacity (lb)	10280	9290	ATS-IN7 ATS-BP7-3X5.5	10280	9290	ATS-IN7 ATS-BP7-3x5.5	10280	9290	ATS-IN7 ATS-BP7-3x5.5
	Allowable Tension Capacity (100/133) (lb)	11905 / 15875		ATS-SR7 ATS-CTUD97	23810 / 31745		ATS-SR7H ATS-CTUD77	23810 / 31745		ATS-SR7H ATS-CTUD97
One	Incremental Bearing Capacity (lb)	9950	8995	ATS-IN9 ATS-BP9-3X5.5	10280	9290	ATS-IN7 ATS-BP7-3x5.5	9950	8995	ATS-IN9 ATS-BP9-3x5.5
	Allowable Tension Capacity (100/133) (lb)	19680 / 26240		ATS-SR9 ATS-CTUD99	23810 / 31745		ATS-SR7H ATS-CTUD77	39365 / 52485		ATS-SR9H ATS-CTUD99
Anchorage	Anchor Bolt Grade and Size	See page 17 for min. embedment and edge distance		ATS-AB9	See page 17 for min. embedment and edge distance		ATS-AB7H	See page 17 for min. embedment and edge distance		ATS-AB9H

1. See General Notes for additional information.
2. These tables provide the individual ASD capacities of the ATS components. The component capacities at each level must be considered by the Designer. See the design example on pages 19 & 20 for more information.

THREE STORY SYSTEMS

ATS Load Capacities for Three Story Applications: Hem Fir & Spruce Pine Fir

Level	Three Story Systems	CTDS31B			CTDS32B		
		HF	SPF	Component	HF	SPF	Component
Three	Incremental Bearing Capacity (Ib)	6830	7165	ATS-N5 ATS-BP5-3X5.5	6830	7165	ATS-N5 ATS-BP5-3X5.5
	Allowable Tension Capacity (100/133) (Ib)	6075 / 8100		ATS-SR5 ATS-C55	6075 / 8100		ATS-SR5 ATS-C55
Two	Incremental Bearing Capacity (Ib)	4390	4605	ATS-IN5 ATS-BP5-3X3.5	4390	4605	ATS-IN5 ATS-BP5-3X3.5
	Allowable Tension Capacity (100/133) (Ib)	6075 / 8100		ATS-SR5 ATS-CTUD55	6075 / 8100		ATS-SR5 ATS-CTUD75
One	Incremental Bearing Capacity (Ib)	4390	4605	ATS-IN5 ATS-BP7-3X3.5	6660	6990	ATS-IN7 ATS-BP7-3X5.5
	Allowable Tension Capacity (100/133) (Ib)	6075 / 8100		ATS-SR5 ATS-CTUD55	11905 / 15875		ATS-SR7 ATS-CTUD77
Anchorage	Anchor Bolt Grade and Size	See page 17 for min. embedment and edge distance		ATS-AB5	See page 17 for min. embedment and edge distance		ATS-AB7



Level	Three Story Systems	CTDS33B			CTDS34B			CTDS35B		
		HF	SPF	Component	HF	SPF	Component	HF	SPF	Component
Three	Incremental Bearing Capacity (Ib)	6830	7165	ATS-N5 ATS-BP5-3X5.5	10175	10675	ATS-N7 DW7 ATS-BP10-3X9	10175	10675	ATS-N7 DW7 ATS-BP10-3X9
	Allowable Tension Capacity (100/133) (Ib)	6075 / 8100		ATS-SR5 ATS-C75	11905 / 15875		ATS-SR7 ATS-C77	11905 / 15875		ATS-SR7 ATS-C77
Two	Incremental Bearing Capacity (Ib)	6660	6990	ATS-IN7 ATS-BP7-3X5.5	6660	6990	ATS-IN7 ATS-BP7-3X5.5	6660	6990	ATS-IN7 ATS-BP7-3x5.5
	Allowable Tension Capacity (100/133) (Ib)	11905 / 15875		ATS-SR7 ATS-CTUD97	23810 / 31745		ATS-SR7H ATS-CTUD77	23810 / 31745		ATS-SR7H ATS-CTUD97
One	Incremental Bearing Capacity (Ib)	6450	6765	ATS-IN9 ATS-BP9-3X5.5	6660	6990	ATS-IN7 ATS-BP7-3X5.5	6450	6765	ATS-IN9 ATS-BP9-3x5.5
	Allowable Tension Capacity (100/133) (Ib)	19680 / 26240		ATS-SR9 ATS-CTUD99	23810 / 31745		ATS-SR7H ATS-CTUD77	39365 / 52485		ATS-SR9H ATS-CTUD99
Anchorage	Anchor Bolt Grade and Size	See page 17 for min. embedment and edge distance		ATS-AB9	See page 17 for min. embedment and edge distance		ATS-AB7H	See page 17 for min. embedment and edge distance		ATS-AB9H

1. See General Notes for additional information.

2. These tables provide the individual ASD capacities of the ATS components. The component capacities at each level must be considered by the Designer. See the design example on pages 19 & 20 for more information.