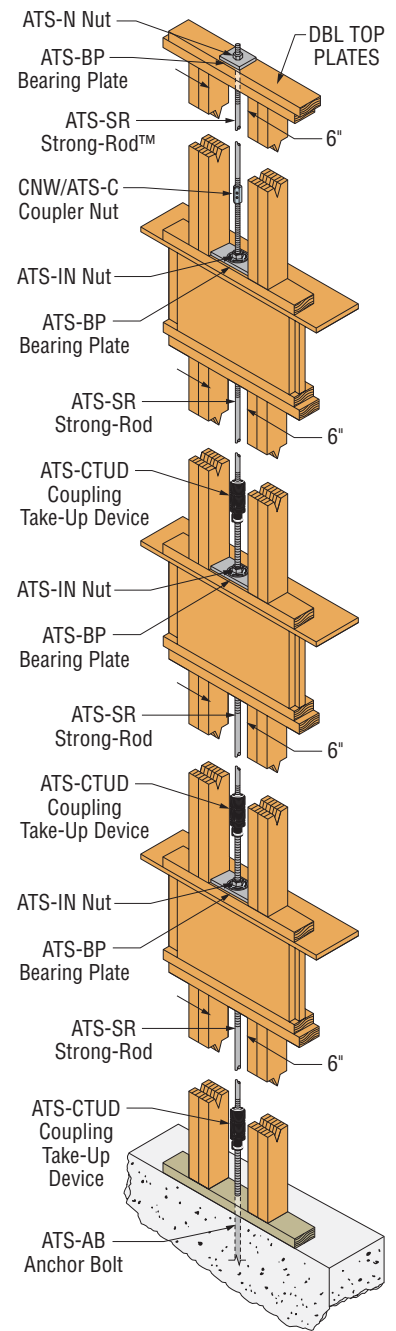


FOUR STORY SYSTEMS

ATS Load Capacities for Four Story Applications: Douglas Fir & Southern Pine (Continued on next page)

Level	Four Story Systems	CTDS41		Component	CTDS42		Component
		DF	SP		DF	SP	
		Capacity		Capacity			
Four	Incremental Bearing Capacity (lb)	10540	9530	ATS-N5 ATS-BP5-3X5.5	10540	9530	ATS-N5 ATS-BP5-3X5.5
	Allowable Tension Capacity (100/133) (lb)	6075 / 8100		ATS-SR5 ATS-C55	6075 / 8100		ATS-SR5 ATS-C55
Three	Incremental Bearing Capacity (lb)	6775	6125	ATS-IN5 ATS-BP5-3X3.5	6775	6125	ATS-IN5 ATS-BP5-3X3.5
	Allowable Tension Capacity (100/133) (lb)	6075 / 8100		ATS-SR5 ATS-CTUD55	6075 / 8100		ATS-SR5 ATS-CTUD55
Two	Incremental Bearing Capacity (lb)	6775	6125	ATS-IN5 ATS-BP5-3X3.5	6775	6125	ATS-IN5 ATS-BP5-3X3.5
	Allowable Tension Capacity (100/133) (lb)	6075 / 8100		ATS-SR5 ATS-CTUD55	6075 / 8100		ATS-SR5 ATS-CTUD75
One	Incremental Bearing Capacity (lb)	6075	8100	ATS-IN5 ATS-BP5-3X3.5	10280	9290	ATS-IN7 ATS-BP7-3X5.5
	Allowable Tension Capacity (100/133) (lb)	6075 / 8100		ATS-SR5 ATS-CTUD55	11905 / 15875		ATS-SR7 ATS-CTUD77
Anchorage	Anchor Bolt Grade and Size	See page 17 for min. embedment and edge distance		ATS-AB5	See page 17 for min. embedment and edge distance		ATS-AB7



Typical CTDS4 Run

1. See General Notes for additional information.
2. These tables provide the individual ASD capacities of the ATS components. The component capacities at each level must be considered by the Designer. See the design example on pages 19 & 20 for more information.

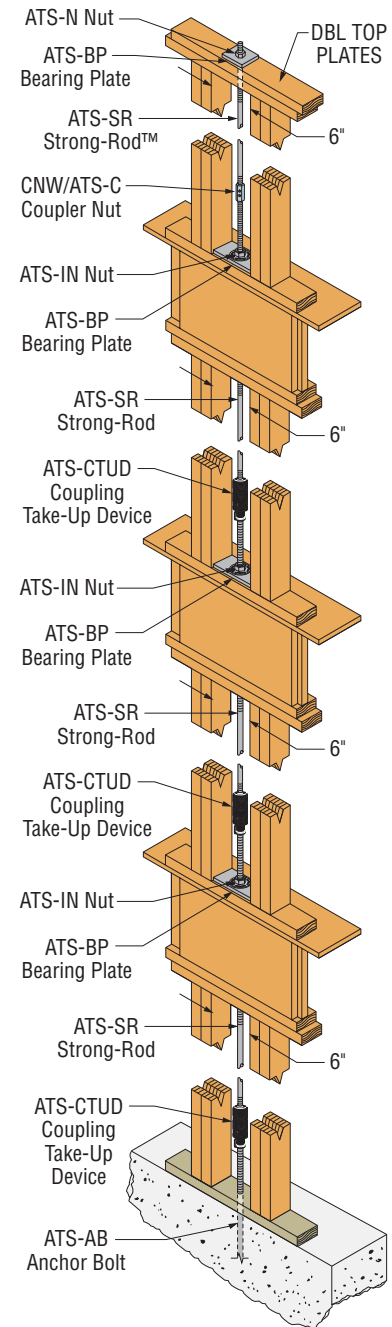
C-ATS07 © 2007 SIMPSON STRONG-TIE COMPANY INC.

FOUR STORY SYSTEMS

ATS Load Capacities for Four Story Applications: Douglas Fir & Southern Pine (Continued from previous page)

Level	Four Story Systems	CTDS45		
		DF	SP	Component
		Capacity		
Four	Incremental Bearing Capacity (Ib)	10280	9290	ATS-N7 ATS-BP7-3X5.5
	Allowable Tension Capacity (100/133) (Ib)	11905 / 15875		ATS-SR7 ATS-C77
Three	Incremental Bearing Capacity (Ib)	10280	9290	ATS-IN7 ATS-BP7-3x5.5
	Allowable Tension Capacity (100/133) (Ib)	23810 / 31745		ATS-SR7H ATS-CTUD77
Two	Incremental Bearing Capacity (Ib)	10280	9290	ATS-IN7 ATS-BP7-3x5.5
	Allowable Tension Capacity (100/133) (Ib)	23810 / 31745		ATS-SR7H ATS-CTUD97
One	Incremental Bearing Capacity (Ib)	9950	8995	ATS-IN9 ATS-BP9-3X5.5
	Allowable Tension Capacity (100/133) (Ib)	39365 / 52485		ATS-SR9H ATS-CTUD99
Anchorage	Anchor Bolt Grade and Size	See page 17 for min. embedment and edge distance		ATS-AB9H

1. See General Notes for additional information.
2. These tables provide the individual ASD capacities of the ATS components. The component capacities at each level must be considered by the Designer. See the design example on pages 19 & 20 for more information.

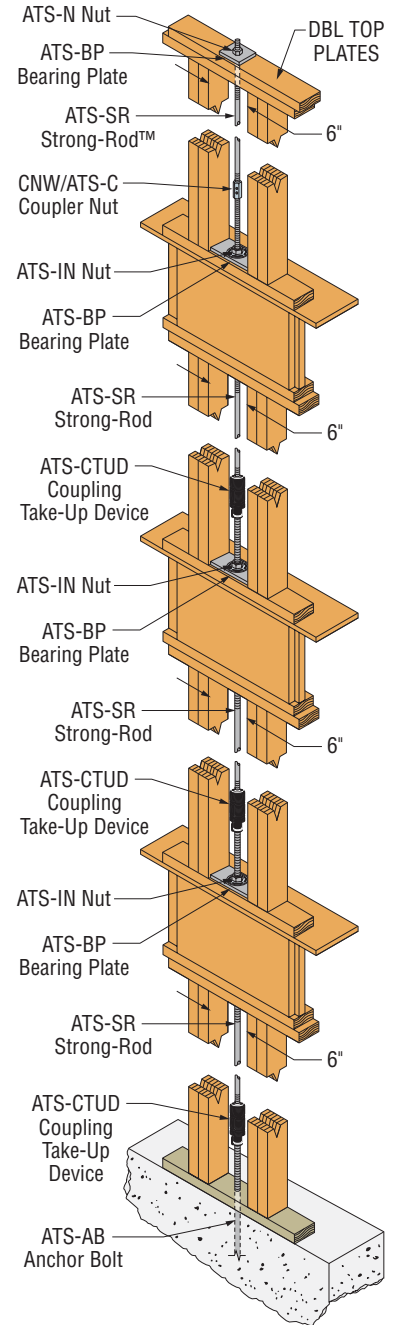


Typical CTDS4 Run

FOUR STORY SYSTEMS

ATS Load Capacities for Four Story Applications: Hem Fir & Spruce Pine Fir (Continued on next page)

Level	Four Story Systems	CTDS41B			CTDS42B		
		HF	SPF	Component	HF	SPF	Component
Four	Incremental Bearing Capacity (lb)	6830	7165	ATS-N5 ATS-BP5-3X5.5	6830	7165	ATS-N5 ATS-BP5-3X5.5
	Allowable Tension Capacity (100/133) (lb)	6075 / 8100		ATS-SR5 ATS-C55	6075 / 8100		ATS-SR5 ATS-C55
Three	Incremental Bearing Capacity (lb)	4390	4605	ATS-IN5 ATS-BP5-3X3.5	4390	4605	ATS-IN5 ATS-BP5-3X3.5
	Allowable Tension Capacity (100/133) (lb)	6075 / 8100		ATS-SR5 ATS-CTUD55	6075 / 8100		ATS-SR5 ATS-CTUD55
Two	Incremental Bearing Capacity (lb)	4390	4605	ATS-IN5 ATS-BP5-3X3.5	4390	4605	ATS-IN5 ATS-BP5-3X3.5
	Allowable Tension Capacity (100/133) (lb)	6075 / 8100		ATS-SR5 ATS-CTUD55	6075 / 8100		ATS-SR5 ATS-CTUD75
One	Incremental Bearing Capacity (lb)	4390	4605	ATS-IN5 ATS-BP5-3X3.5	6660	6990	ATS-IN7 ATS-BP7-3X5.5
	Allowable Tension Capacity (100/133) (lb)	6075 / 8100		ATS-SR5 ATS-CTUD55	11905 / 15875		ATS-SR7 ATS-CTUD77
Anchorage	Anchor Bolt Grade and Size	See page 17 for min. embedment and edge distance		ATS-AB5	See page 17 for min. embedment and edge distance		ATS-AB7



Typical CTDS4 Run

Level	Four Story Systems	CTDS43B			CTDS44B		
		HF	SPF	Component	HF	SPF	Component
Four	Incremental Bearing Capacity (lb)	6830	7165	ATS-N5 ATS-BP5-3X5.5	6830	7165	ATS-N5 ATS-BP5-3X5.5
	Allowable Tension Capacity (100/133) (lb)	6075 / 8100		ATS-SR5 ATS-C55	6075 / 8100		ATS-SR5 ATS-C75
Three	Incremental Bearing Capacity (lb)	4390	4605	ATS-IN5 ATS-BP5-3X3.5	6660	6990	ATS-IN7 ATS-BP7-3X5.5
	Allowable Tension Capacity (100/133) (lb)	6075 / 8100		ATS-SR5 ATS-CTUD75	11905 / 15875		ATS-SR7 ATS-CTUD77
Two	Incremental Bearing Capacity (lb)	6660	6990	ATS-IN7 ATS-BP7-3X5.5	6660	6990	ATS-IN7 ATS-BP7-3X5.5
	Allowable Tension Capacity (100/133) (lb)	11905 / 15875		ATS-SR7 ATS-CTUD97	23810 / 31745		ATS-SR7H ATS-CTUD77
One	Incremental Bearing Capacity (lb)	6450	6765	ATS-IN9 ATS-BP9-3X5.5	6660	6990	ATS-IN7 ATS-BP7-3X5.5
	Allowable Tension Capacity (100/133) (lb)	19680 / 26240		ATS-SR9 ATS-CTUD99	23810 / 31745		ATS-SR7H ATS-CTUD77
Anchorage	Anchor Bolt Grade and Size	See page 17 for min. embedment and edge distance		ATS-AB9	See page 17 for min. embedment and edge distance		ATS-AB7H

1. See General Notes for additional information.
2. These tables provide the individual ASD capacities of the ATS components. The component capacities at each level must be considered by the Designer. See the design example on pages 19 & 20 for more information.

