

TJC37 Jack Truss Connector

TJC37 is a versatile connector for skewed members. Adjustable from 0 to 67.5 degrees (*shipped with 67.5 degree bend*). Screw hole locations allow for easy installation.

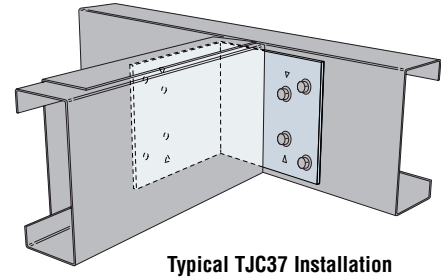
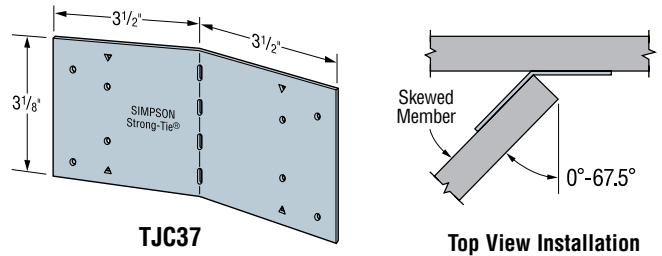
MATERIAL: 54 mil (16 ga)

FINISH: Galvanized

INSTALLATION: • Use all specified fasteners; see General Notes.

- Can be installed filling round holes only, or filling round and triangle holes for maximum values.
- Position the skewed member on the inside of the bend line with the end of the member flush with the bend line.
- Bend the TJC37 to the desired position (*one bend cycle only*).

CODE: See page 8 for Code Listing Key Chart



Model No.	Fasteners		Allowable Loads (100)			Code Ref.
	Carrying Member	Carried Member	43 mil (18 ga)			
			0°	1°-60°	61°-67.5°	
TJC37 (Min)	4-#10	4-#10	660	565	475	151
TJC37 (Max)	6-#10	6-#10	680	630	530	

1. Tabulated loads are governed by tests and may not be increased. Refer to page 12 for additional information.
2. Allowable loads are for upward or downward direction.

S/DSC Drag Strut Connector

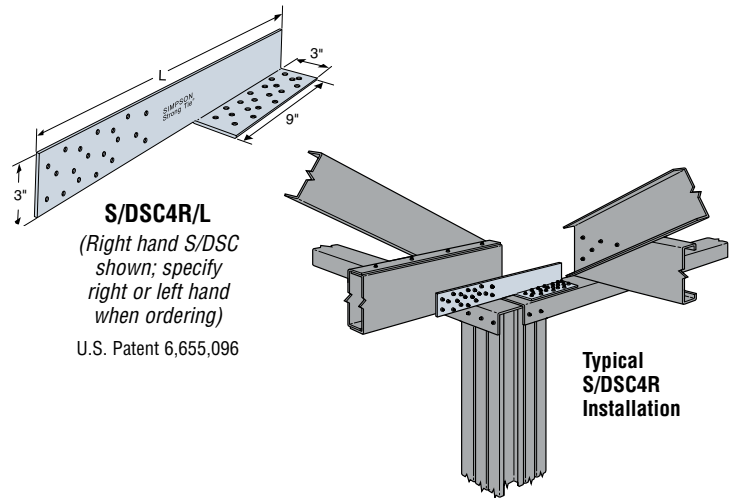
The S/DSC is used as a drag strut to transfer loads from roof framing to the wall plates below.

MATERIAL: 229 mil (3 ga)

FINISH: Galvanized

INSTALLATION: • Use all specified fasteners; see General Notes.

CODES: See page 8 for Code Listing Key Chart.



Model No.	L	Fasteners	Allowable Load (100)		Code Ref.
			43 mil (18 ga)		
			Compression	Tension	
S/DSC4R/L	22	40- #10	3220	4025	151

1. Tabulated loads are governed by tests and may not be increased. Refer to page 12 for additional information.
2. Loads are based on a minimum of a 43 mil (18 ga) thick member.

TSB Truss Spacer Bracer

TSB "captures" the on-center spacing of trusses (*available for 24" on center*) and laterally braces the truss members, allowing quicker, easier, safer installation. Its tube shape provides strength in both compression and tension. TSB has a low profile that can be sheathed over, eliminating the need to remove bracing prior to applying the roof sheathing or decking.

MATERIAL: 27 mil (22 ga)

FINISH: Galvanized

INSTALLATION: • Use 4- #10 screws; see General Notes.

