

STC/STCT/DTC Roof Truss Clips

For alignment control between a roof truss and nonbearing walls; the 1½" slot permits vertical truss chord movement when loads are applied.

MATERIAL: 43 mil (18 ga)

FINISH: Galvanized

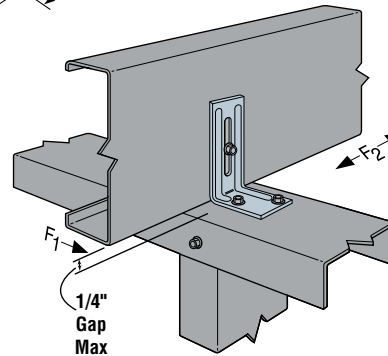
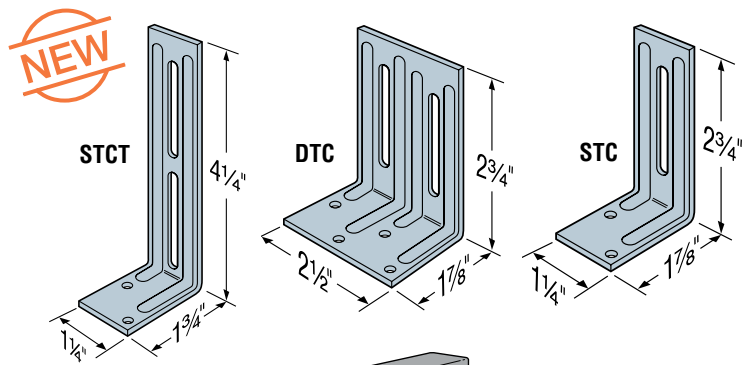
INSTALLATION: • Use all specified fasteners; see General Notes.

- Use STC or DTC depending on required loads.
- STC / STCT / DTC may be used with proprietary material sections. Contact material supplier for specific installation details.
- Use STCT where truss or rafter is separated from the top plate of the nonbearing wall.
- Install slot screws in the middle of the slot.

CODE: See page 8 for Code Listing Key Chart

Model No.	Fasteners		Allowable Loads (100)						Code Ref.
	Base	Slot	Without Gap		¼" Max. Gap		¼" < Gap ≤ ½"		
			F ₁	F ₂	F ₁	F ₂	F ₁	F ₂	
STC	2-#8	1-#8	185	35	135	35	75	35	151
STCT	2-#8	1-#8	—	—	—	—	—	—	170
DTC	4-#8	2-#8	200	160	200	160	145	160	151

1. Tabulated loads are governed by tests and may not be increased. Refer to page 12 for additional information.
2. Truss or rafter must be bearing on top plate to achieve the allowable loads under "WITHOUT GAP."
3. Clips are required on both sides of the truss to achieve F₁ loads in both directions (stagger parts to avoid screw interferences).



Typical STC Installation

Truss Connectors

S/GTC Girder Truss Connector

The S/GTC truss connector is designed to connect a carried truss to a girder truss vertical member.

MATERIAL: 33 mil (20 ga)

FINISH: Galvanized

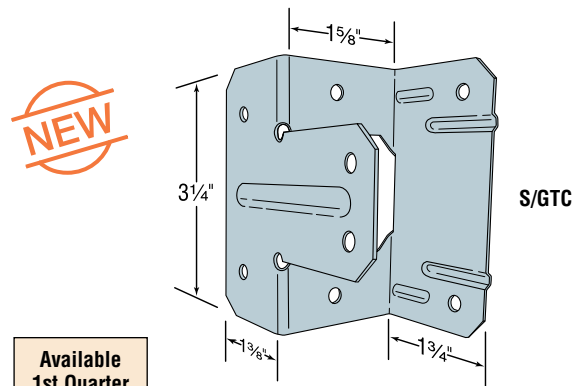
INSTALLATION: • Use all specified fasteners; see General Notes.

- Install the connector onto the girder truss member first.
- May be used with proprietary material sections with web material dimensions from 1⅜" to 1⅝". Contact material supplier for product specific installation details.

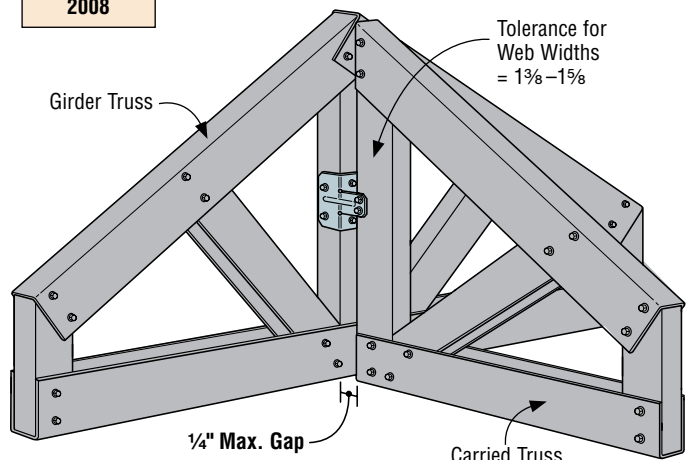
CODE: See page 8 for Code Listing Key Chart

Model No.	Fasteners		Trusses Material Thickness mil (ga)	Allowable Loads (100)	Code Ref.
	Carried Member	Carrying Member			
S/GTC	4-#10	4-#10	27 (22)	355	170
	4-#10	4-#10	33 (20)	425	
	4-#10	4-#10	43 (18)	450	
	4-#10	4-#10	54 (16)	485	

1. Tabulated loads are governed by tests and may not be increased. Refer to page 12 for additional information.
2. Trusses shall be laterally braced per Designer specification.



Available 1st Quarter 2008



Typical S/GTC Installation

The S/GTC works for many proprietary truss shapes including Alpine, Amkey, Nucon, Nutruss and Steelcon.