

**LTP5 Framing Anchor**

The LTP5 spans subfloor at the top of the blocking or rim joist. The embossments enhance performance and allows for design flexibility.

**MATERIAL:** LTP5—33 mil (20 ga)

**FINISH:** Galvanized

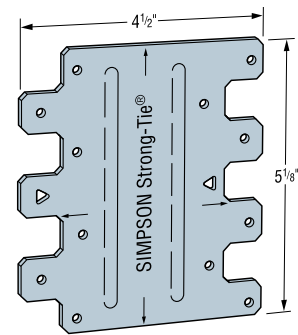
**INSTALLATION:**

- Use all specified fasteners. See General Notes.

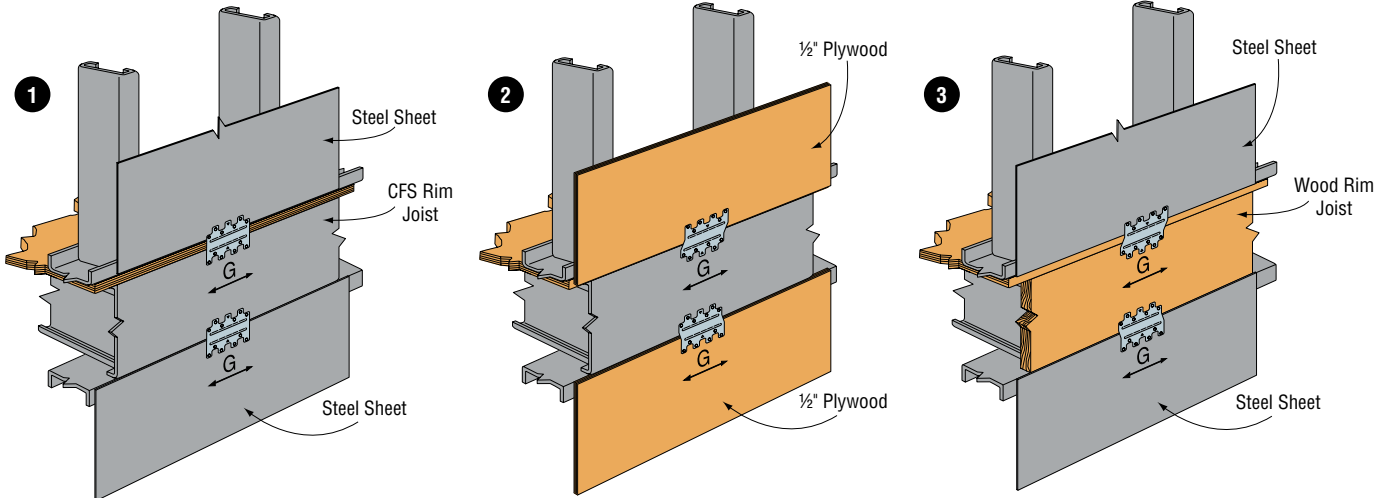
**CODES:** See page 8 for Code Listing Key Chart.

Model No.	Type of Connection	Direction of Load	Fasteners		Allowable Loads 43 mil (18 ga)		Code Ref.
			To Rim Joist	To Tracks & Shearwall	(100)	(133)	
LTP5	1	G	7- #10	7- #10	1045	1045	151
	2		7- #10	7- #10	1110	1110	
	3		7-8d x 1½	7- #10	625	730	

1. Tabulated loads shown at (100) do not include steel stress increase. Tabulated loads shown at (133) include a ½ stress increase on the steel. Refer to page 12 for additional information.
2. Allowable loads are for one anchor.
3. When anchors are installed on each side of joist, the minimum joist thickness is 3".
4. Allowable loads are based on steel (stud & sheet) of 43 mil (18 ga) minimum.



LTP5



**Note:** When attaching an LTP5 over sheathing, the screws must penetrate and engage the steel framing. A minimum of 3 threads shall penetrate past the steel.