

LCB Column Base

LCB column bases use screws, which allows for fast installation, reduced reveal and high capacity, while maintaining the net section of the column.

FINISH: LCB - galvanized.

MATERIAL: See table

INSTALLATION: • Use all specified fasteners. See General Notes.

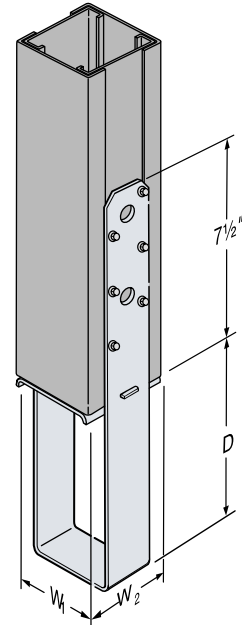
- For full loads, minimum side cover required is 2" for LCB.
- Install all models with bottom of base plate flush with concrete.
- Post bases do not provide adequate resistance to prevent members from rotating about the base and therefore are not recommended for non top-supported installations (such as fences or unbraced carports).

OPTIONS: • The LCB may be shipped unassembled; specify "Disassembled".

CODES: See page 8 for Code Reference Key Chart.

Installation for cold-formed steel built-up column.

Note: The engineer of record is responsible for design of column and beam member.



LCB44
(LCB46, LCB66 similar)

Model No.	Column Size	Connector Material Thickness mil (ga)		Dimensions			Column Fasteners Screws	Allowable Uplift Loads		Code Ref.
		Strap	Base	W ₁	W ₂	D		43 mil (18 ga)	54 mil (16 ga)	
LCB44	3.5 x 3.5	97 (12 ga) x 2"	54 (16 ga)	3 3/16	3 1/2	6 1/2	12- #10	3155	5760	FC1
LCB46	3.5 x 3.5	97 (12 ga) x 2"	54 (16 ga)	3 3/16	5 1/2	6 1/2				
LCB66	3.5 x 5.5	97 (12 ga) x 2"	54 (16 ga)	5 1/2	5 1/2	5 1/2				

1. Sizes indicate nominal dimensions.
2. Designer is responsible for concrete design.

LCE Post Cap

The universal design of the LCE4 provides high capacity while eliminating the need for rights and lefts. For use with 3 1/2" to 6" framing members.

MATERIAL: LCE4—33 mil. (20 ga)

FINISH: Galvanized, ZMAX® coating or stainless steel; see Corrosion Information, page 12–13.

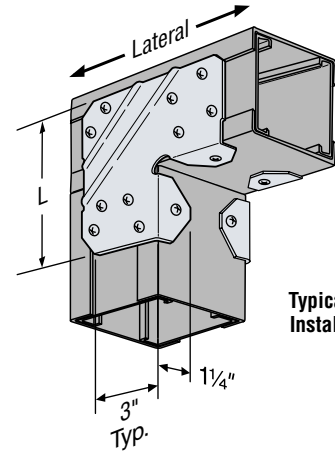
INSTALLATION: • Use all specified fasteners. See General Notes.

- Install in pairs.

CODES: See page 8 for Code Reference Key Chart.

These products feature additional corrosion protection. Additional products on this page may also be available with this option, check with Simpson Strong-Tie for details.

Model No.	Dimensions		Fasteners (Total)		Allowable Loads				Code Ref.
	W	L	Beam	Post	Uplift		Lateral		
					33 mil (20 ga)	43 mil (18 ga)	33 mil (20 ga)	43 mil (18 ga)	
LCE4	—	5 3/8	14- #10	10- #10	1700	2355	1420	2150	170



Typical LCE Installation

Installation for cold-formed steel built-up column.

Note: The Designer is responsible for design of column and beam member.