

ICFVL Ledger Connector System

The ICFVL Ledger Connector System is engineered to solve the challenges of mounting CFS ledgers to insulated concrete form (ICF) walls. The ICFVL is designed to provide both vertical and lateral, in-plane performance. There are many benefits over traditional anchor bolting, including better on-center spacing in most cases, faster installation and no protrusions.

The embedded legs of the ICFVL are embossed for additional stiffness and the hole allows for concrete to flow through and around the connector. The exposed flange on the face of the ICF provides a structural surface for mounting a CFS ledger.

MATERIAL: ICFVL—68 mil (14 ga)

FINISH: Galvanized

INSTALLATION: ICFVL in ICF

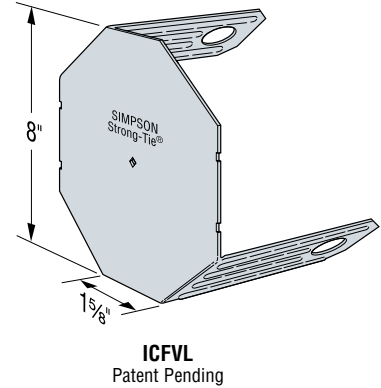
- Snap a chalk line for the bottom of the ledger.
- Mark required on-center spacing.
- Use ICFVL to mark kerf locations.
- Cut kerfs as marked.
- Insert ICFVL flush to the face of the ICF.
- Pour concrete.

CFS Ledger Attachment

- Position the ledger level to the chalk line and against the ICFVL.
- Attach with four #14x¾", #3 drill point screws (*not provided*).
- All screws should be located at least ½" from the edge of the ICFVL.
- Space screws evenly.

CODES: See page 8 for Code Listing Key Chart.

WARNING:
Industry studies show that hardened fasteners can experience performance problems in wet environments. Accordingly, use this product in dry environments only.



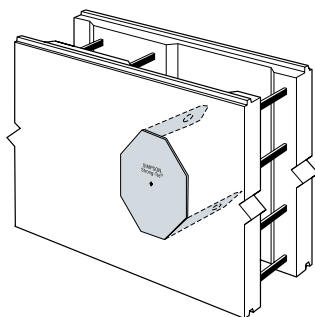
Model No.	Fasteners	Allowable ASD Loads (lbs)	
		Download	Lateral F ₁
ICFVL	4-#14x¾"	54 mil (16 ga)	68 mil (14 ga)
		1660	1525

1. Fasteners for CFS ledger are not provided.
2. Loads apply to ICF foam thicknesses of 2¾" or less. Contact Simpson Strong-Tie for allowable loads on thicker walls.
3. Alternately, ¼" x ¾" fastener may be used.
4. Concrete f'c = 2500 psi minimum.
5. When combining download and lateral loads, Designer shall evaluate as follows: Design Download/Allowable Download + Design Lateral Load/Allowable Lateral Load ≤ 1.

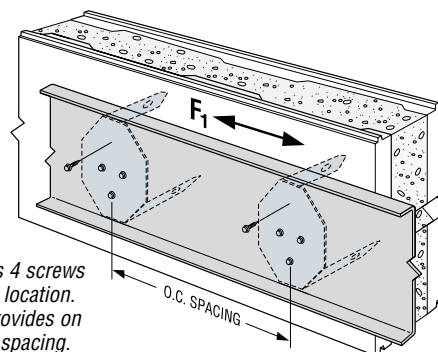
These tables address vertical load applications only.

Ledger Material Thickness mil (ga)	Connector Type	ICFVL Spacing to Replace Anchor Bolts on a CFS Ledger (in) ^{1,2,3}								Code Ref.
		½" Dia. Anchors at				⅝" Dia. Anchors at				
		12" o.c.	24" o.c.	36" o.c.	48" o.c.	12" o.c.	24" o.c.	36" o.c.	48" o.c.	
68 (14 ga)	ICFVL	11	22	33	44	9	18	27	36	170
54 (16 ga)	ICFVL	15	30	45	48	12	24	36	48	

1. The Designer may specify different spacing based on the load requirements.
2. See flier F-ICFVL for additional connection details.
3. CFS ledger values are based on steel Fu = 65 ksi.



ICFVL



Typical CFS Ledger Installation with ICFVL (minimum 54 mil)