

STC/STCT/DTC Roof Truss Clips

For alignment control between a roof truss and nonbearing walls; the 1/2" slot permits vertical truss chord movement when loads are applied.

MATERIAL: 43 mil (18 ga)

FINISH: Galvanized

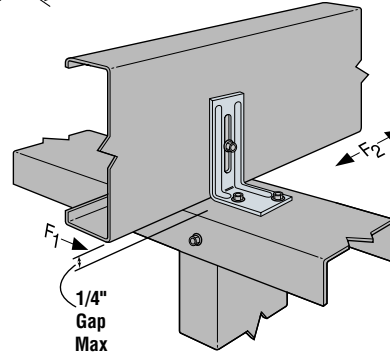
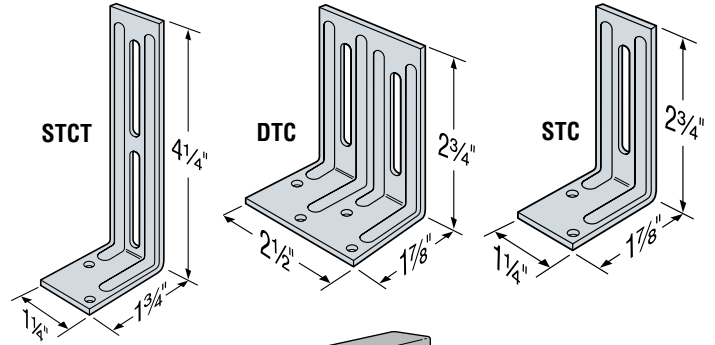
INSTALLATION: • Use all specified fasteners; see General Notes.

- Use STC or DTC depending on required loads.
- STC / STCT / DTC may be used with proprietary material sections. Contact material supplier for specific installation details.
- Use STCT where truss or rafter is separated from the top plate of the nonbearing wall.
- Install slot screws in the middle of the slot.

CODE: See page 8 for Code Listing Key Chart

Model No.	Fasteners		Allowable Loads 33 mil (20 ga)						Code Ref.
	Base	Slot	Without Gap		1/4" Max. Gap		1/4" < Gap < 1/2"		
			F ₁	F ₂	F ₁	F ₂	F ₁	F ₂	
STC	2-#8	1-#8	185	35	135	35	75	35	FC1
STCT	2-#8	1-#8	—	—	—	—	—	—	180
DTC	4-#8	2-#8	200	160	200	160	145	160	FC1

1. Truss or rafter must be bearing on top plate to achieve the allowable loads under "WITHOUT GAP."
2. Clips are required on both sides of the truss to achieve F₁ loads in both directions (stagger parts to avoid screw interferences).



Typical STC Installation

To allow for vertical truss movement, screws into the truss or rafter should not be driven completely flush against the connector.

Truss Connectors

S/GTC Girder Truss Connector

The S/GTC truss connector is designed to connect a carried truss to a girder truss vertical member.

MATERIAL: 33 mil (20 ga)

FINISH: Galvanized

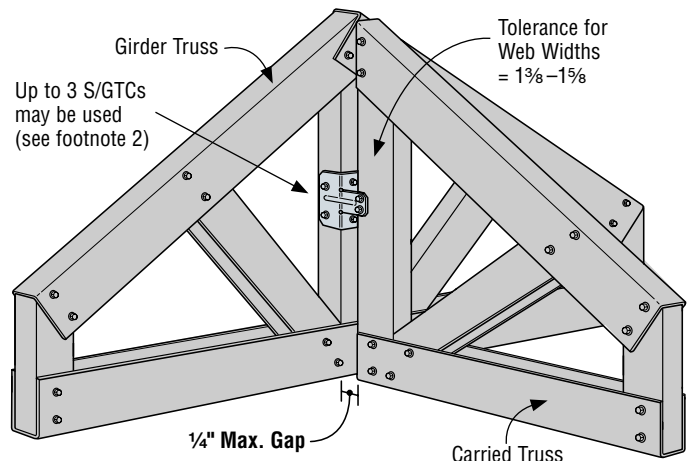
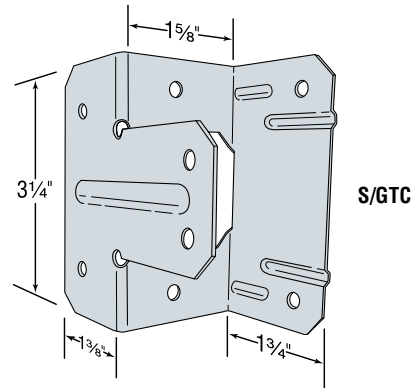
INSTALLATION: • Use all specified fasteners; see General Notes.

- Install the connector onto the girder truss member first.
- May be used with proprietary material sections with web material dimensions from 1 3/8" to 1 5/8". Contact material supplier for product specific installation details.

CODE: See page 8 for Code Listing Key Chart

Model No.	Fasteners		Trusses Material Thickness mil (ga)	Allowable Loads	Code Ref.
	Carried Member	Carrying Member			
S/GTC	4-#10	4-#10	27 (22)	355	170
	4-#10	4-#10	33 (20)	425	
	4-#10	4-#10	43 (18)	450	
	4-#10	4-#10	54 (16)	485	

1. Trusses shall be laterally braced per Designer specification.
2. Allowable loads are for one connector. Up to three connections may be installed; use an adjustment factor of 0.90 to total tabular load.



Typical S/GTC Installation

The S/GTC works for many proprietary truss shapes including Alpine, Amkey, Nucon, Nutruss and Steelcon.