

S/H1A Seismic & Hurricane Ties

S/H1A is designed to fit within several proprietary truss chords to provide uplift resistance.

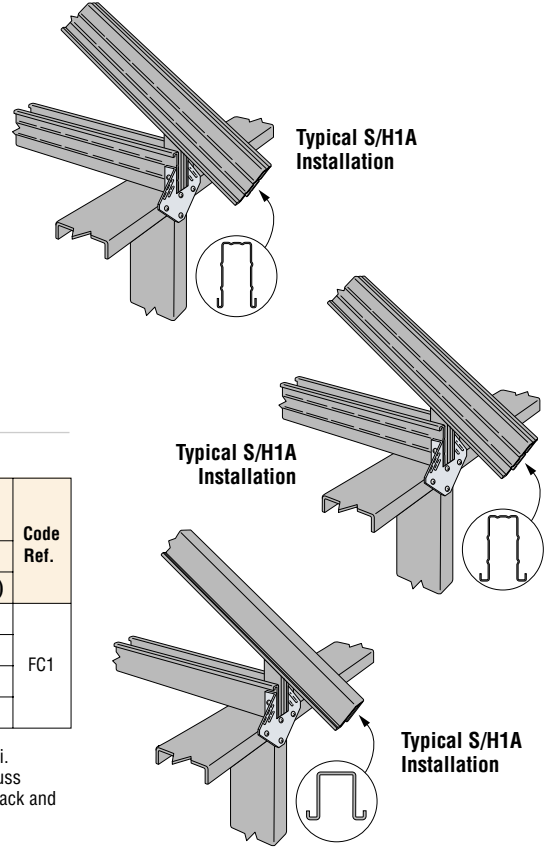
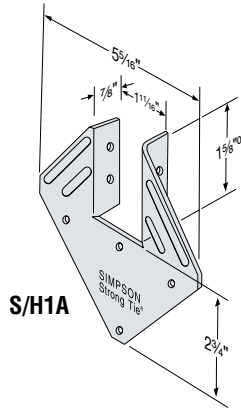
MATERIAL: 43 mil (18 ga)

FINISH: Galvanized

INSTALLATION: • Use all specified fasteners.

- S/H1A can be installed with flanges facing outwards, reverse of illustration, when installed inside a wall for truss applications.
- S/H1A does not replace solid blocking.
- S/H1A may be used with proprietary material sections. Contact material supplier for specific installation details.

CODE: See page 8 for Code Listing Key Chart.



Model No.	Fasteners			Truss Thickness ² mil (ga)	Allowable Uplift Loads			Code Ref.
	Truss	Top Track	Stud		Plate / Wall Stud Thickness mil (ga)			
					33 mil (20 ga)	43 mil (18 ga)	54 mil (16 ga)	
S/H1A	4- #10	3- #10	1- #10	27 (22 ga)	470	470	470	FC1
	4- #10	3- #10	1- #10	33 (20 ga)	510	550	690	
	4- #10	3- #10	1- #10	43 (18 ga)	510	550	690	
	4- #10	3- #10	1- #10	54 (16ga)	520	675	850	

1. Tabulated loads based on truss members with yield strength, F_y , of 50 ksi and tensile strength, F_u , of 65 ksi. Reduce tabulated load proportionally for lower truss member steel strength. For example: 43 mil (18 ga) truss member with a yield strength, F_y of 33 ksi and a tensile strength, F_u , of 45 ksi is connected to 43 mil top track and wall stud. The adjusted allowable load is then 550 lbs. x minimum $[33/50 \text{ or } 45/60] = 363$ lbs.

Straps & Ties

S/PSPN Protecting Shield Plate

S/PSPN58 and S/PSPN516 protecting shield plate fastener stoppers meet IRC, IBC and the International Plumbing Code. S/PSPN516 meets the code plumbing protection requirements as well as having additional fasteners if the Designer chooses to use it as a track splice strap.

MATERIAL: 54 mil (16 ga)

FINISH: Galvanized, available in ZMAX[®]

INSTALLATION: S/PSPN – #10 screws.

CODES: See page 8 for Code Listing Key Chart.

S/PSPN516 at top plates

- International Residential Code[®] – 2000/2003/2006 P2603.2.1
- International Plumbing Code – 2000/2003/2006 305.8

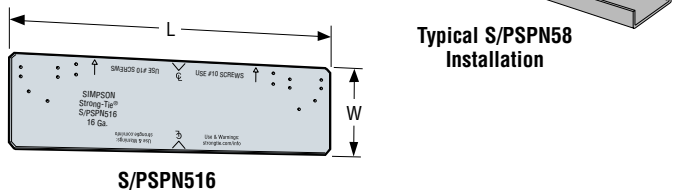
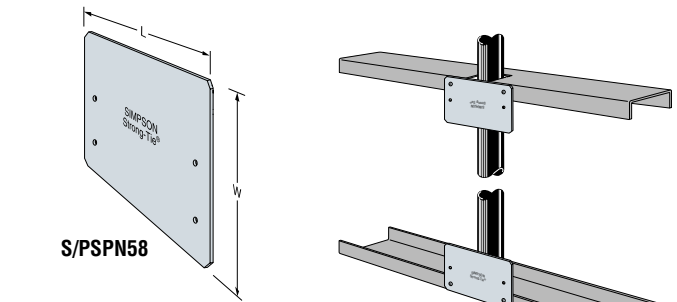
S/PSPN516 at bottom plate.

- International Plumbing Code – 2000/2003/2006 305.8

S/PSPN58 at top plates and bottom plate.

- International Plumbing Code – 2000/2003/2006 305.8

Note that the IBC section 2308.9.8 and the IRC section 602.6.1 require a 54 mil (16 ga) strap with 6-16d nails and 8-16d nails respectively each side at a hole or notch in a wood top, sill or sole plate. The Designer or local building jurisdiction may permit an equivalent fastener strength (i.e. screws in lieu of nails) to be used for the same condition in a CFS top or bottom track.



These products are available with additional corrosion protection. Additional products on this page may also be available with this option, check with Simpson Strong-Tie for details.

Model No.	W	L	Code Ref.
S/PSPN58	5	8	190
S/PSPN516	5	16 5/16	

- #10 self-tapping screws may be used to attach S/PSPN to CFS framing with quantity determined by Designer.
- PSPN516 with 6 #10 self-tapping screws each side achieves an allowable shear capacity of 1060 lbs and 1580 lbs to 33 mil (20 ga) track and to 43 mil (18 ga) track, respectively.