

MTSM/HTSM Twist Straps

The MTSM and HTSM offer high strength truss to masonry connections.

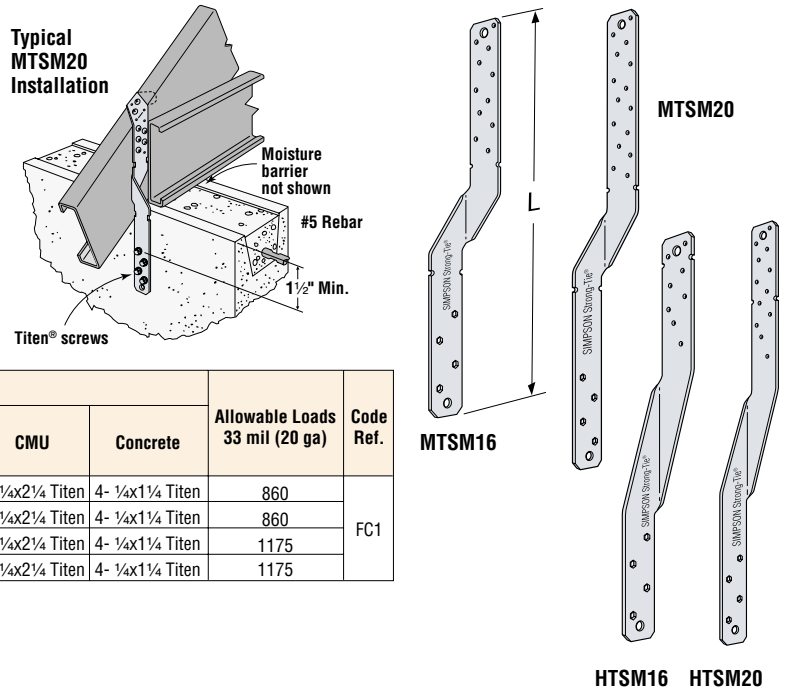
MATERIAL: See table

FINISH: Galvanized. Some products available in stainless steel and ZMAX®; see Corrosion Information, page 12-13.

INSTALLATION: • Use all specified fasteners. See General Notes.

- May be attached to either side of a grouted block wall. A minimum of one #5 grouted rebar shall be installed in the top course of this wall.

CODES: See page 8 for Code Listing Key Chart.



Model No.	Connector Material Thick. mil (ga)	L	Fasteners						Allowable Loads 33 mil (20 ga)	Code Ref.
			Rafter/Stud/Joist Thickness			CMU	Concrete			
			33 mil (20 ga)	43 mil (18 ga)	54 mil (16 ga)					
MTSM16	54 (16 ga)	16	5- #10	4- #10	3- #10	4- 1/4x2 1/4 Titen	4- 1/4x1 1/4 Titen	860	FC1	
MTSM20		20	5- #10	4- #10	3- #10	4- 1/4x2 1/4 Titen	4- 1/4x1 1/4 Titen			
HTSM16	68 (14 ga)	16	7- #10	5- #10	3- #10	4- 1/4x2 1/4 Titen	4- 1/4x1 1/4 Titen	1175		
HTSM20		20	7- #10	5- #10	3- #10	4- 1/4x2 1/4 Titen	4- 1/4x1 1/4 Titen			

1. All straps have additional fastener holes.
2. Twist straps do not have to be wrapped over the truss to achieve the wall.
3. Minimum edge distance in concrete block for Titen screw is 1 1/2".
4. May be installed on the inside face of the wall.
5. Min. f_m = 1500 psi and f_c = 2500 psi.

LTA1, S/HGAM10 and H10S Seismic & Hurricane Ties

The LTA1 develops high uplift at a minimum heel height. Great in areas where a strap over the heel is not required. The side tab acts as a locator in the masonry block and the four embedded hooks provide for a positive bond in the concrete grout.

The H10S and the S/HGAM10 attaches to truss joist and provides good uplift resistance.

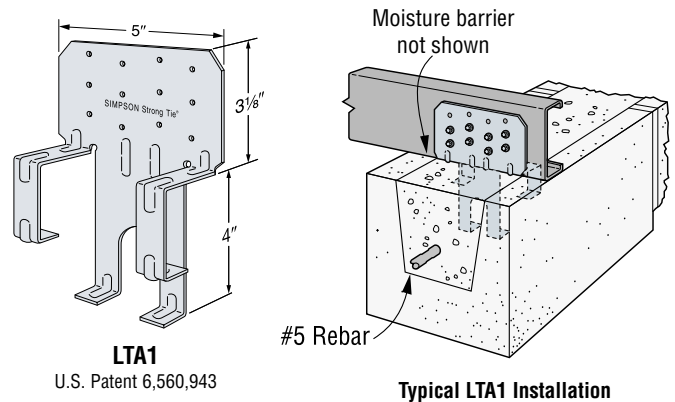
MATERIAL: See table

FINISH: Galvanized

INSTALLATION: • Use all specified fasteners. See General Notes.

- S/HGAM10 can be installed into grouted concrete block.
- Titen® screws are provided.
- Hurricane ties do not replace solid blocking.
- Attach to grouted concrete block with a minimum one #5 rebar horizontal in the top lintel block.

CODES: See page 8 for Code Listing Key Chart



Model No.	Connector Material Thickness mil (ga)	Fasteners			Allowable Uplift Loads		Code Ref.
		To Rafter / Truss	To CMU	To Concrete	33 mil (20 ga)	43 mil (18 ga)	
LTA1	43 (18 ga)	8- #10	—	—	1415	1420	170
S/HGAM10KT	68 (14 ga)	4- #14	4- 1/4" x 2 3/4" Titen	4- 1/4" x 1 3/4" Titen	810	850	LC1
H10S	43 (18 ga)	8- #10	2- 3/8" x 4" Titen HD	2- 3/8" x 4" Titen HD	915	1245	170

1. Min. f_m = 1500 psi and f_c = 2500 psi.
2. Minimum edge distance 1 1/2" using Titen screws.
3. Products shall be installed such that the Titen screws and Titen HD anchors are not exposed to the weather.
4. See page 22 for Titen screw and Titen HD information.

