

LTP5 Framing Anchor

The LTP5 framing anchor spans subfloor at the top of the blocking or rim joist. The embossments enhance performance and allow for design flexibility.

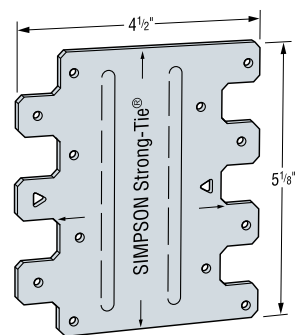
MATERIAL: 33 mil (20 ga)

FINISH: Galvanized

INSTALLATION:

- Use all specified fasteners. See General Notes.

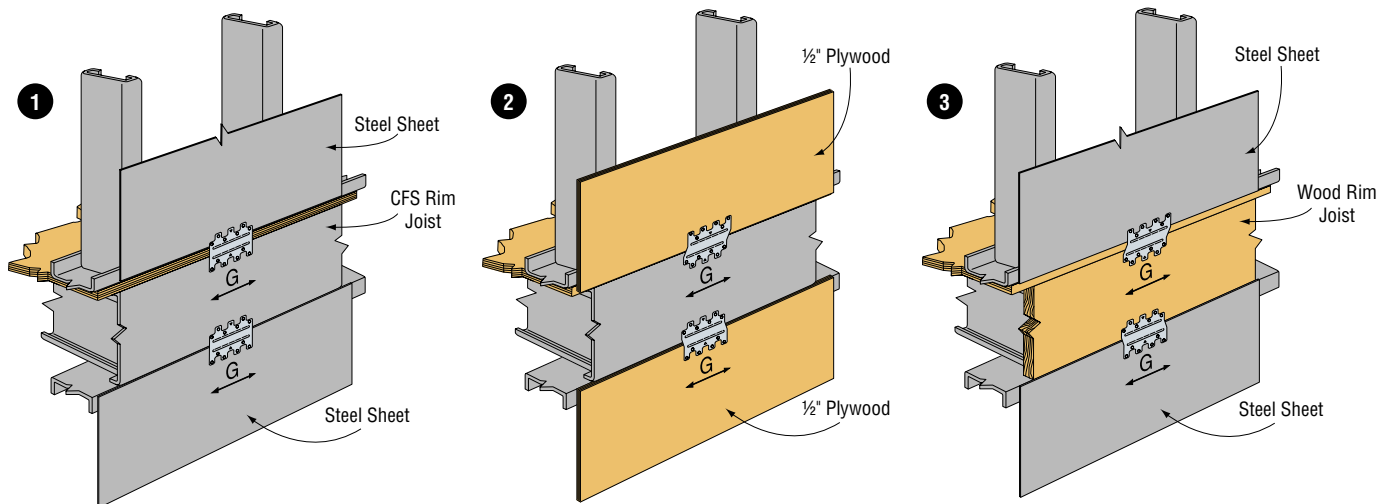
CODES: See page 8 for Code Listing Key Chart.



LTP5

Model No.	Type of Connection	Direction of Load	Fasteners		Allowable Loads 43 mil (18 ga)	Code Ref.
			To Rim Joist	To Sheathing & Track		
LTP5	1	G	7- #10	7- #10	1045	FC1
	2		7- #10	7- #10	1110	
	3		7-8d x 1 1/2	7- #10	730	

1. Allowable loads are for one anchor.
2. Allowable loads are based on steel (stud & sheet) of 43 mil (18 ga) minimum.
3. Allowable load for Type 3 connection assumes Cd = 1.60.



Note: When attaching an LTP5 framing anchor over sheathing, the screws must penetrate and engage the steel framing. A minimum of 3 threads shall penetrate past the steel.