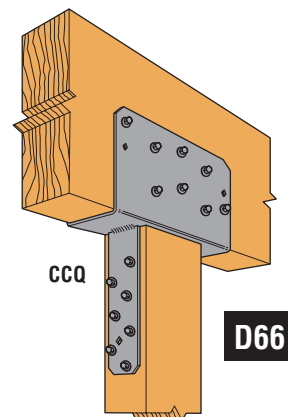
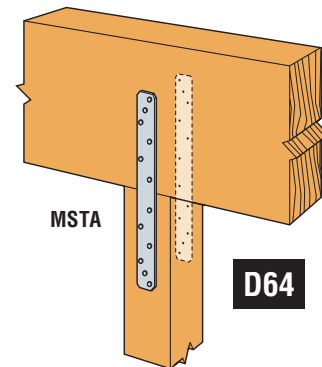
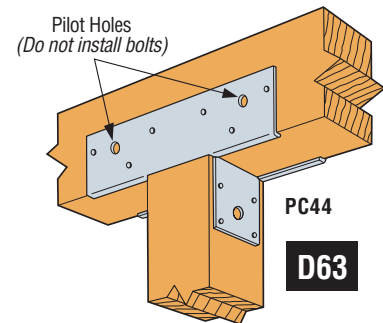
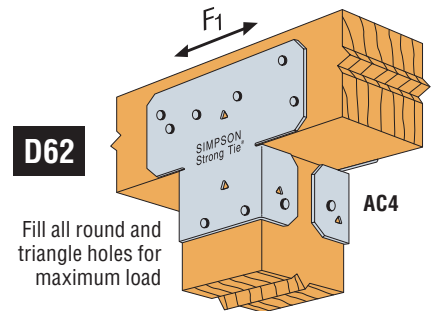
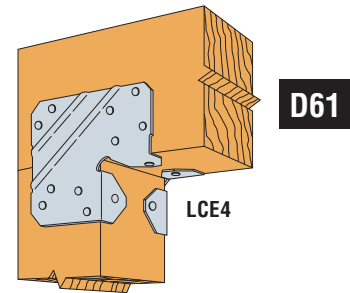


POST/COLUMN TO BEAM

These products are available with additional corrosion protection. Additional products on this page may also be available with this option, check with Simpson Strong-Tie for details.
 SS These products are also available in stainless steel for premium corrosion resistance.

Model No.	Qty. Req'd	Fasteners		DF/SP Allowable Loads		SPF Allowable Loads
		Beam	Post	Uplift (160)	Parallel F1 (160)	Uplift (160)
4x4 POST / COLUMN TO 4x BEAM						
ECCU44	1	2-5/8" MB	2-5/8" MB	205	—	155
LPC4 ²	2	8-10d	8-10d	760	325	655
SS BC4	1	6-16d	6-16d	980	1000	—
PC44-16	1	12-16d	8-16d	1000	925	—
SS AC4 (Min) ²	2	12-16d	8-16d	1430	715	—
CC44	1	2-5/8" MB	2-5/8" MB	1465	—	—
EPC44	1	4-16d	4-16d	1700	1070	1460
PC44	1	12-16d	8-16d	1700	925	—
SS LCE4 ²	2	14-16d	10-16d	1800	1425	—
SS AC4 (Max) ²	2	14-16d	14-16d	2500	1070	—
SS MSTA18	2	28-10d	28-10d	2730	—	2370
ECCQ44-SDS2.5	1	14-SDS 1/4"x2 1/2"	14-SDS 1/4"x2 1/2"	4040	—	2910
CCQ44SDS2.5	1	16-SDS 1/4"x2 1/2"	14-SDS 1/4"x2 1/2"	5680	—	4090
4x6 POST / COLUMN TO 4x BEAM						
BC46	1	12-16d	6-16d	980	1000	—
PC46-16	1	12-16d	8-16d	1000	925	—
EPC46	1	4-16d	4-16d	1700	1070	1460
PC46	1	12-16d	8-16d	1700	925	—
CC46	1	4-5/8" MB	2-5/8" MB	2800	—	—
ECCQ46-SDS2.5	1	14-SDS 1/4"x2 1/2"	14-SDS 1/4"x2 1/2"	4040	—	2910
CCQ46SDS2.5	1	16-SDS 1/4"x2 1/2"	14-SDS 1/4"x2 1/2"	7145	—	5145
6x6 POST / COLUMN TO 6x BEAM						
LPC6 ²	2	8-10d	8-10d	915	490	785
PC66-16	1	12-16d	8-16d	1000	925	—
BC6	1	12-16d	12-16d	1050	2000	—
ECCU66	1	4-5/8" MB	2-5/8" MB	1165	—	875
SS AC6 (Min) ²	2	12-16d	8-16d	1430	715	—
EPC66	1	4-16d	6-16d	1700	1610	1460
PC66	1	12-16d	8-16d	1700	925	—
SS LCE4 ²	2	14-16d	10-16d	1800	1425	—
SS AC6 (Max) ²	2	14-16d	14-16d	2500	1070	—
CC66	1	4-5/8" MB	2-5/8" MB	4040	—	—
ECCQ66-SDS2.5	1	14-SDS 1/4"x2 1/2"	14-SDS 1/4"x2 1/2"	4040	—	2910
CCQ66SDS2.5	1	16-SDS 1/4"x2 1/2"	14-SDS 1/4"x2 1/2"	7145	—	—
4x4 POST / COLUMN TO 2-2x BEAM						
BCS2-2/4	1	8-10d	6-10d	780	1025	670
4x4 POST / COLUMN TO 3-2x BEAM						
BCS2-3/6	1	12-16d	6-16d	800	1495	690
4x4 POST / COLUMN TO 3 1/8" BEAM						
CC3 1/4-4	1	4-5/8" MB	2-5/8" MB	3640	—	—
ECCQ3-4SDS2.5	1	14-SDS 1/4"x2 1/2"	14-SDS 1/4"x2 1/2"	3695	—	2660
CCQ3-4SDS2.5	1	16-SDS 1/4"x2 1/2"	14-SDS 1/4"x2 1/2"	5680	—	—
6x6 POST / COLUMN TO 5 1/8" BEAM						
ECCU5 1/4-6	1	4-3/4" MB	2-3/4" MB	2735	—	1995
ECCQ5-6SDS2.5	1	14-SDS 1/4"x2 1/2"	14-SDS 1/4"x2 1/2"	5530	—	3980
CCQ5-6SDS2.5	1	16-SDS 1/4"x2 1/2"	14-SDS 1/4"x2 1/2"	7245	—	5210
CC5 1/4-6	1	4-3/4" MB	2-3/4" MB	7530	—	—



1. "—" in the tables indicates that the product has not been tested in the particular load direction listed.
2. Where noted, connectors must be installed in pairs to achieve listed loads.
3. For end conditions, specify ECCQ or ECCU when heavy column cap required.
4. Straps must use half the total fasteners into each member being connected to achieve the listed loads.

Refer to pages 8-9 for important considerations regarding coatings on connectors attached to preservative-treated wood

