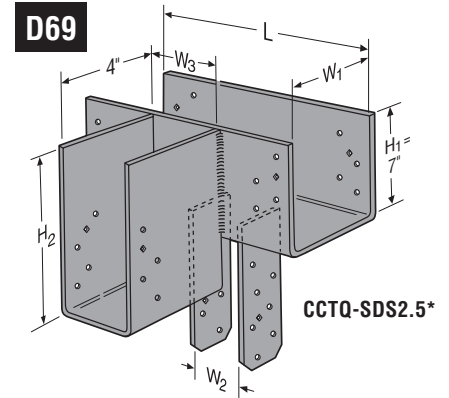
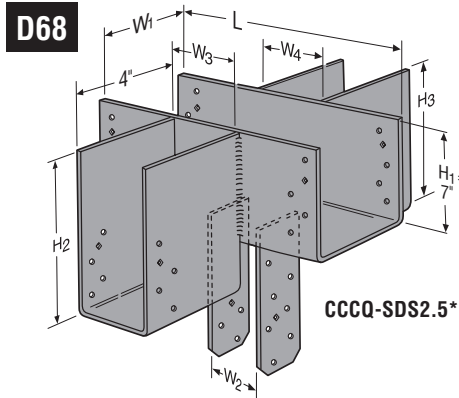
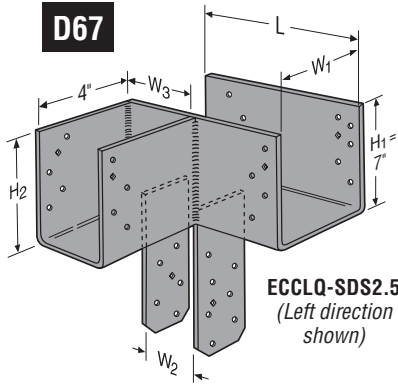


# CORNER POST/COLUMN TO BEAM

Model No.	Allowable Loads			Refer to note #4
	Uplift			
	Main Beam	Side Beam	Total <sup>2</sup>	
ECCLQ-SDS2.5	2835	2835 <sup>3</sup>	3795	
CCCQ-SDS2.5	4780	2390 <sup>1</sup>	4780	
CCTQ-SDS2.5	4910	2350	5315	

1. Allowable load is per seat. Side beams must be loaded symmetrically for the CCCQ.
2. The combined uplift loads applied to all beams in the connector must not exceed the total allowable uplift load listed in the table.
3. Where noted, the ECCLQ side beam may deflect an additional 1/8" beyond the standard 1/8" limit at the maximum uplift.
4. The combined download for all of the carried beams shall not exceed the allowable download for the unmodified product in the Simpson Strong-Tie® Wood Construction Connectors catalog (CCQ load for CCCQ and CCTQ, or ECCQ load for ECCLQ). The download for each side beam shall not exceed 35% of the allowable download for the unmodified product.
5. Column width in the direction of the main beam width must be the same as the main beam width (W<sub>1</sub>).



\*Side beams shown below main beam may be ordered flush similar to ECCLQ.

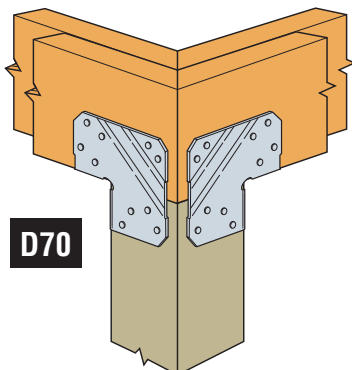
**SS** These products are also available in stainless steel for premium corrosion resistance.

Model No.	Dimensions		Total No. of Fasteners		DF/SP Uplift Loads (lbs)	SPF Uplift Loads (lbs)
	W	L	Beam	Post	Total Uplift (160)	Total Uplift (160)
<b>SS</b> LCE4Z (Mitered Corner)	5%	5%	14-16d	10-16d	985	845

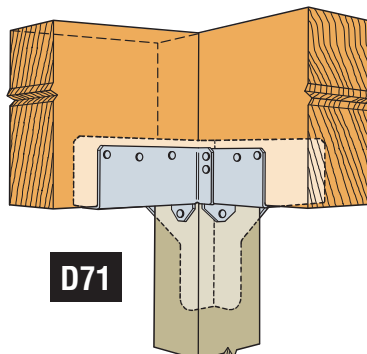
1. The allowable download for the mitered LCE4 connection is limited to bearing of the mitered section on the post and shall be determined by the Designer of Record.
2. Connectors must be installed in pairs to achieve listed loads.

Model No.	Dimensions		Total No. of Fasteners		DF/SP Uplift Loads (lbs)			SPF Uplift Loads (lbs)		
	W	L	Beam	Post	Side Beam	Main Beam	Total	Side Beam	Main Beam	Total
RTC44Z <sup>1</sup> (Mitered Corner)	3 3/16	4 3/4	16-16d	10-16d	900	900	1800	775	775	1550
RTC44Z <sup>2</sup> (Square Cut)	3 3/16	4 3/4	16-16d	10-16d	925	1230	1760	795	1060	1515

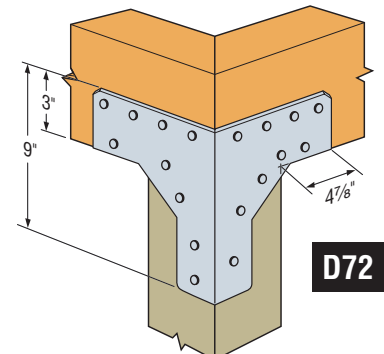
1. The allowable download for the mitered RTC44 connection is limited to bearing of the mitered beams on the post and shall be determined by the Designer of Record.
2. The allowable download for the main beam in the square cut RTC44 connection is limited to bearing of the beam on the post and shall be determined by the Designer of Record. The side beam allowable download is 1170 lbs.
3. The combined uplift loads applied to all beams in the connector must not exceed the total allowable uplift load listed in the table.



Typical LCE4Z Installation (Mitered Corner)



RTC44Z Installation (Square Cut)



RTC44Z Installation (Mitered Corner)