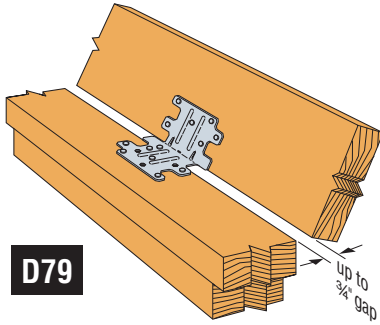


ROOF BOUNDARY CONNECTION

Model No.	Type of Connection	Bending Angle	Fasteners		DF/SP Allowable Loads	SPF Allowable Loads
			To Plate	To Blocking	Lateral (160)	Lateral (160)
RBC	1	45° to 90°	6-10dx1½	6-10dx1½	445	380
	2	0° to 45°	6-10dx1½	6-10dx1½	435	375
	3	0° to 45°	3-¼"x2¼" Titen ³	6-10dx1½	350	350

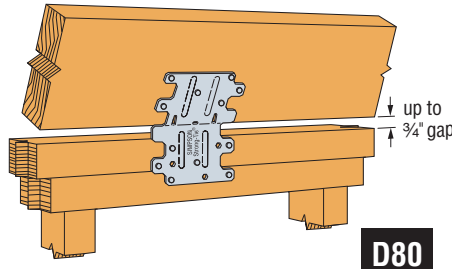
1. Allowable loads are for one anchor attached to blocking minimum 1½" thick.
2. RBC can be installed with up to ¾" gap and achieve 100% of the listed load.
3. Use ¼"x1¼" Titen³ screws for concrete applications.
4. Refer to flier F-RBC for additional information.

TITEN³ SCREW WARNING: Industry studies show that hardened fasteners can experience performance problems in wet or corrosive environments. Accordingly, use these products in dry, interior and non-corrosive environments only or provide a moisture barrier.



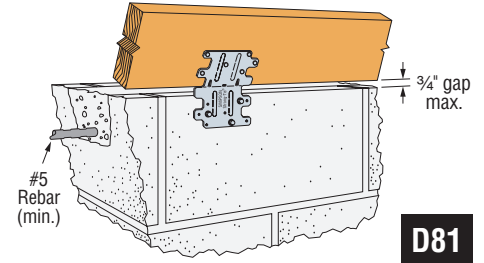
D79

1 Typical RBC Installation



D80

2 Typical RBC Installation



D81

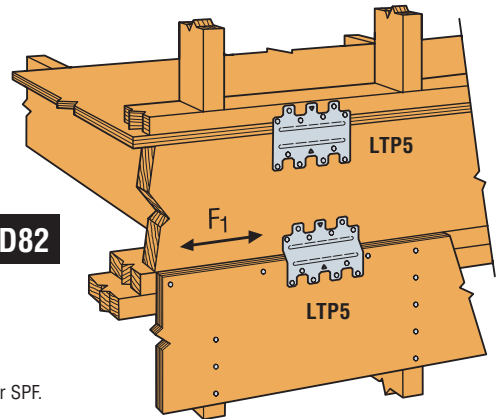
3 Typical RBC Installation to CMU Block

LATERAL LOAD

These products are available with additional corrosion protection. Additional products on this page may also be available with this option, check with Simpson Strong-Tie for details.

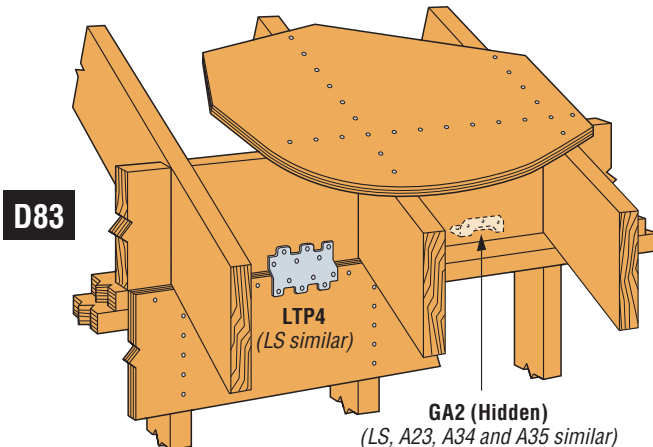
These products are also available in stainless steel for premium corrosion resistance.

Model No.	Qty. Req'd	Fasteners (Total)	DF/SP Allowable Loads		SPF Allowable Loads	
			F ₁ (160)	F ₁ (160)	F ₁ (160)	F ₁ (160)
SS A34	1	8-8dx1½	365	315		
LS30	1	6-10d	395	335		
SS A35	1	12-8dx1½	450	450		
GA2	1	6-10dx1½	450	335		
A23	1	8-10dx1½	585	565		
SS LS50	1	8-10d	730	630		
LTP5 ⁱ	1	12-8dx1½	620	510		
LS70	1	10-10d	915	785		
LTP4	1	12-8dx1½	670	595		
LS90	1	12-10d	890	770		



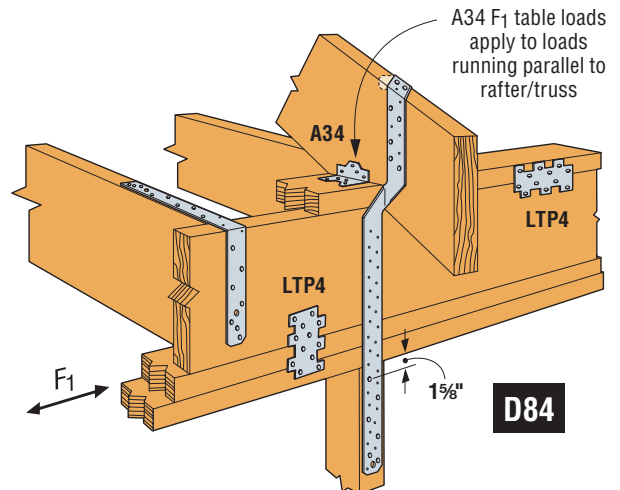
D82

1. For LTP5, increasing nails to 14-8dx1½ will result in an F₁ allowable load of 630 lbs. for DF/SP and 540 lbs. for SPF.
2. LTP4 can be installed over ¾" structural sheathing with 8dx1½" nails and achieve 0.72 of the listed load, or over ½" and achieve 0.64 of the listed load. 8d commons will achieve 100% load.
3. The LTP5 may be installed over structural sheathing up to ½" thick using 8dx1½ nails with no reduction in load.



D83

GA2 (Hidden)
(LS, A23, A34 and A35 similar)



D84

A34 F₁ table loads apply to loads running parallel to rafter/truss