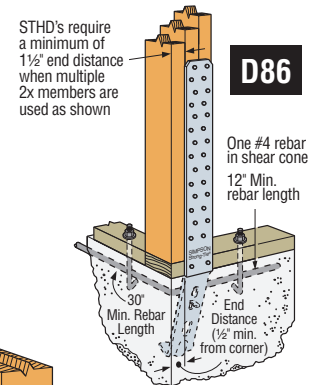
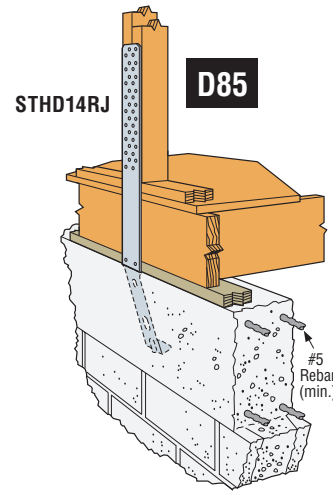


HOLDOWNS

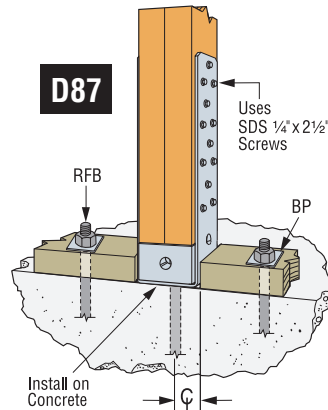
These products are available with additional corrosion protection. Additional products on this page may also be available with this option, check with Simpson Strong-Tie for details.

Model No.	Qty. Req'd	Anchor Diameter	Fasteners (Stud)	DF/SP Allowable Loads		SPF Allowable Loads	
				Uplift (160)	Uplift (160)	Uplift (160)	Uplift (160)
STHD8/STHD8RJ	1	Embed	24-16d Sinkers	2370	2370	2370	2370
STHD10/STHD10RJ	1	Embed	28-16d Sinkers	2990	2990	2990	2990
HDU2-SDS2.5	1	1-5/8" ATR	6-SDS 1/4"x2 1/2"	3075	2215	2215	2215
HTT4	1	5/8"	18-10dx1 1/2"	3320	2855	2855	2855
HTT16	1	1-5/8" ATR	18-16dx2 1/2"	3955	3400	3400	3400
STHD14/STHD14RJ	1	Embed	38-16d Sinkers	4160	4160	4160	4160
HTT22	1	1-5/8" ATR	32-10d	4165	3580	3580	3580
HTT4	1	5/8"	18-16dx2 1/2"	4235	3640	3640	3640
HTT5	1	5/8"	26-10dx1 1/2"	4350	3740	3740	3740
HDU4-SDS2.5	1	1-5/8" ATR	10-SDS 1/4"x2 1/2"	4565	3285	3285	3285
HTT5	1	5/8"	26-10d	4670	4275	4275	4275
HDC5/22-SDS2.5	1	1-5/8" ATR	12-SDS 1/4"x2 1/2"	4870	4215	4215	4215
HTT5	1	5/8"	26-16dx2 1/2"	5090	4375	4375	4375
HDU5-SDS2.5	1	1-5/8" ATR	14-SDS 1/4"x2 1/2"	5645	4065	4065	4065
HDU8-SDS2.5	1	1-7/8" ATR	20-SDS 1/4"x2 1/2"	7870	5665	5665	5665
HTT16	2	1-5/8" ATR	36-16dx2 1/2"	7910	6800	6800	6800
HTT22	2	1-5/8" ATR	64-10d	8330	7160	7160	7160
HDQ8-SDS3	1	1-7/8" ATR	20-SDS 1/4"x3"	9230	6645	6645	6645
HDC10/22-SDS2.5	1	1-7/8" ATR	24-SDS 1/4"x2 1/2"	9665	8425	8425	8425
HDU11-SDS2.5	1	1-1" ATR	30-SDS 1/4"x2 1/2"	11175	8045	8045	8045
HDU14-SDS2.5	1	1-7/8" ATR	36-SDS 1/4"x2 1/2"	14390	10360	10360	10360
HDQ8-SDS3	2	1-7/8" ATR	20-SDS 1/4"x3"	16650	14320	14320	14320

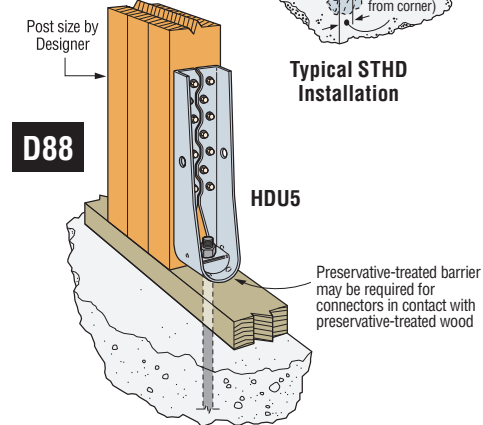


Typical STHD Installation


1. HDU8 load based on a minimum 4 1/2" thick vertical member; HDU11 and HDU14 require a minimum 7 1/4" thick vertical member; all other holdowns require 3" thick vertical member. See current Simpson Strong-Tie® Wood Construction Connectors catalog for load values based on different wood thickness.
2. STHD assumes 8" stemwall, full embedment depth minimum 1/2" from the corner, and 2500 psi concrete. For other conditions contact Simpson Strong-Tie.
3. ATR is all thread rod or embedded anchor bolt.
4. ATR—All-Thread Rod or Anchor Bolt. The Designer must specify anchor type, length, and embedment. Refer to technical bulletin T-ANCHORSPEC for guidance on selected products.



Typical HDC Installation with 2-2x4 Studs



Refer to pages 8-9 for important considerations regarding coatings on connectors attached to preservative-treated wood



The ATS Catalog

The Simpson Strong-Tie® Anchor Tie-down System for Multi-Story Overturning Restraint catalog (C-ATS) puts all the product and design information right at your fingertips, including technical information, multi-story rod system design concepts and schematics for runs up to five stories.

Visit www.strongtie.com to download the ATS catalog or call 800-999-5099 to request copies.

