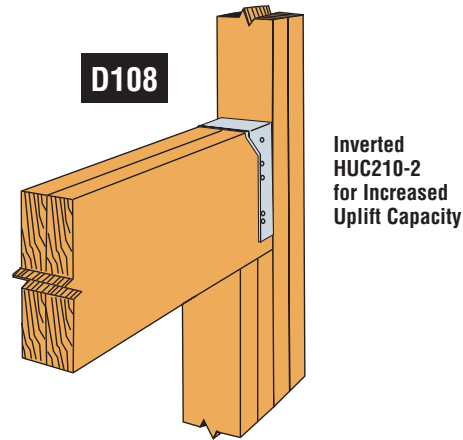


# HANGER UPLIFT CONSIDERATIONS

- By inverting the proper size and type of Simpson Strong-Tie® connectors in a girder, truss or beam connection, additional uplift loads can be obtained by combining the loads as shown below.
- In a combined installation of an inverted connector with a standard connector, all the component uplift and downloads can be added together (as shown in the example below with HGUS26-2 hangers) to obtain higher load values.
- Allowable loads shown are based on the lesser of either National Design Specification (NDS) calculations or the results of static load tests.
- Other hanger and connector options than those shown can be used as specified by the Designer.

Model No.	Fasteners		DF/SYP Allowable Uplift Loads (160)
	Header	Joist	
HUC26-2'	12-16d	6-10d	2570
HUC28-2'	14-16d	6-10d	2995
HUC210-2'	18-16d	10-10d	3850

1. Values based on an inverted hanger installation.
2. Loads include a 60% increase for wind loading with no further increases allowed.
3. Table values also apply to triple 2x and 4x HUC models with the same nailing pattern.
4. Download assumed to be carried by jack studs.

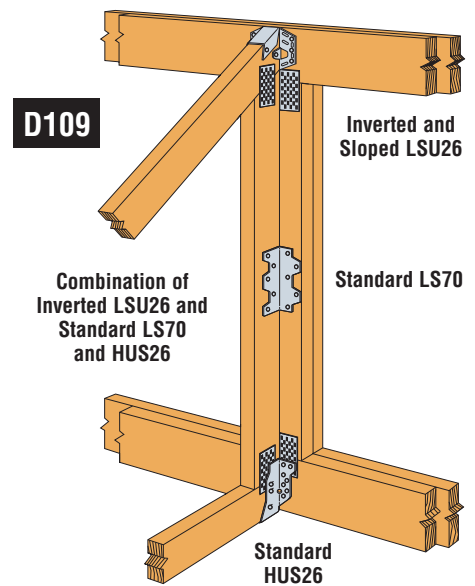


## COMBINED CONNECTOR EXAMPLE

These products are available with additional corrosion protection. Additional products on this page may also be available with this option, check with Simpson Strong-Tie for details.

Model No.	Fasteners		DF/SYP Allowable Loads			
	Header	Joist	Uplift Loads	Downloads		
			(160)	Snow (115)	Roof (125)	Roof (160)
LSU26 <sup>1</sup>	6-16d	5-10dx1½	800	420	455	535
LS70	5-16d	5-10dx1½	915	675	730	915
HUS26	14-16d	6-16d	1550	2950	3205	3335
Combined Total Load <sup>3</sup>			3265	4045	4390	4795

1. Values based on an inverted hanger installation.
2. Loads include a 60% increase for wind loading with no further increases allowed.
3. Combined Total Load is based on the combined results of individual connector allowable loads. The Designer shall determine if using the combined Total Load is appropriate.
4. Other connectors can be used for this application per the Designer.



## COMBINED HANGER EXAMPLE

Model No.	Fasteners		DF/SYP Allowable Loads			
	Header	Joist	Uplift Loads	Downloads		
			(160)	Snow (115)	Roof (125)	Roof (160)
HGUS26-2	20-16d	8-16d	2325	4535	4930	5460
HGUS26-2'	20-16d	8-16d	5460	2035	2325	2325
Combined Total Load			7785	6570	7255	7785

1. Values based on an inverted hanger installation.
2. Loads include a 60% increase for wind loading with no further increases allowed.
3. Other hangers can be used for this application. Contact Simpson Strong-Tie for load information.

