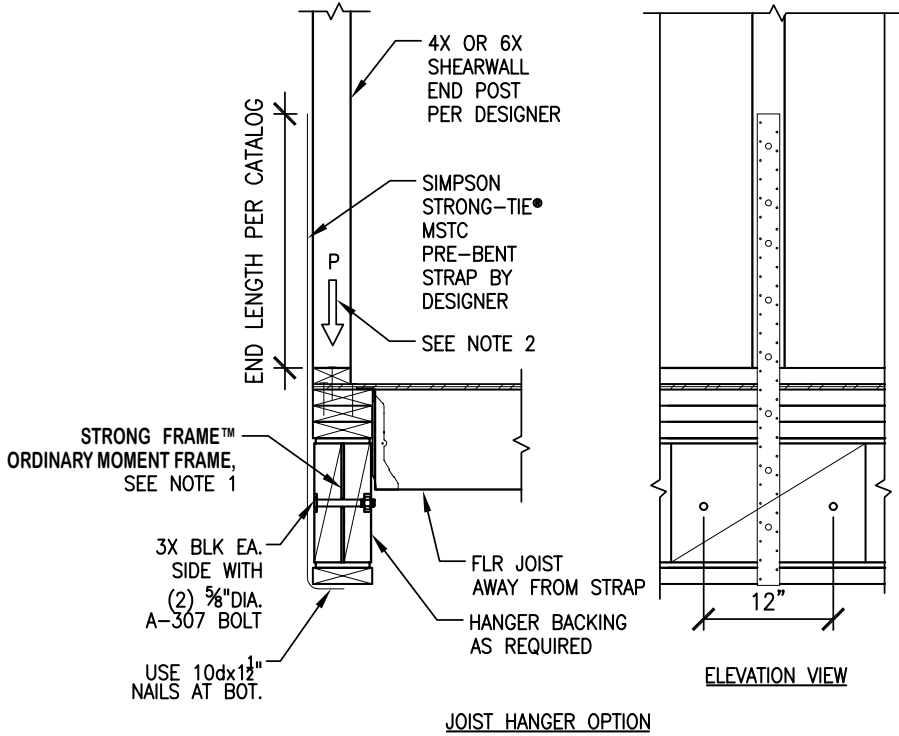


Ordinary Moment Frame: Installation Details

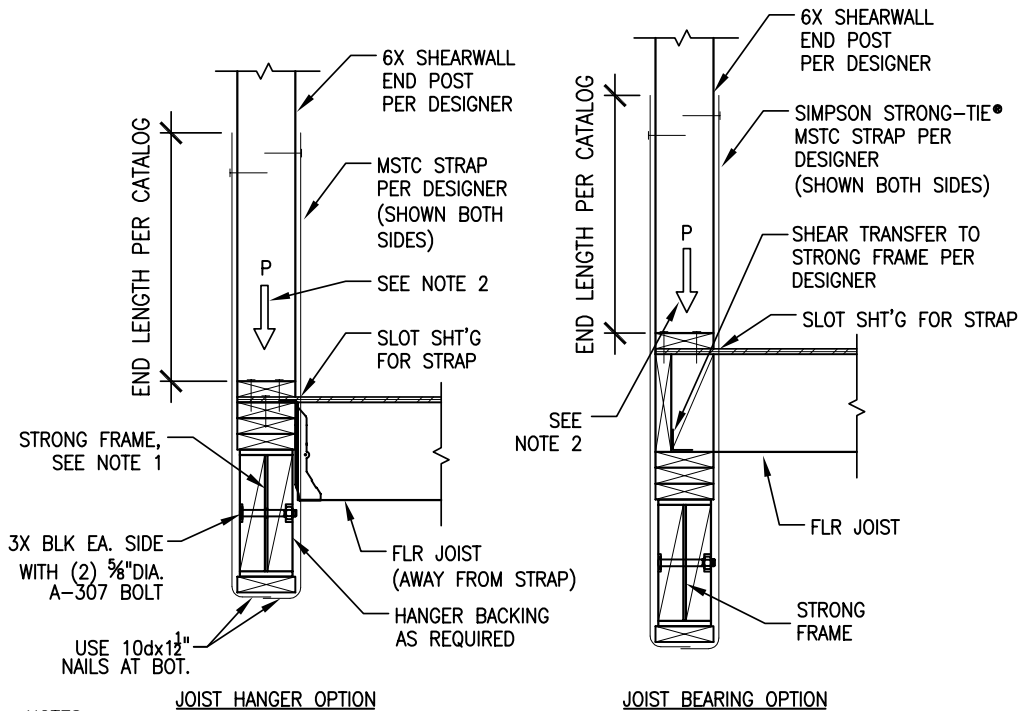


NOTES:

1. SEE 12/SF3 FOR ALLOWABLE PENETRATION IN STEEL BEAM AND COLUMN
2. DESIGNER TO VERIFY TOTAL BEAM LOADING INCLUDING REACTION "P" DOES NOT EXCEED "W_{max}" VALUE PER CATALOG

6x HOLDOWN POST TO STRONG FRAME™ ORDINARY MOMENT FRAME BEAM

1/SF3



NOTES:

1. SEE 12/SF3 FOR ALLOWABLE PENETRATION IN STEEL BEAM AND COLUMN
2. DESIGNER TO VERIFY TOTAL BEAM LOADING INCLUDING REACTION "P" DOES NOT EXCEED "W_{max}" VALUE PER CATALOG
3. SEE 1/SF3 FOR INFO NOT NOTED

HOLDOWN POST TO STRONG FRAME™ ORDINARY MOMENT FRAME BEAM

2/SF3