

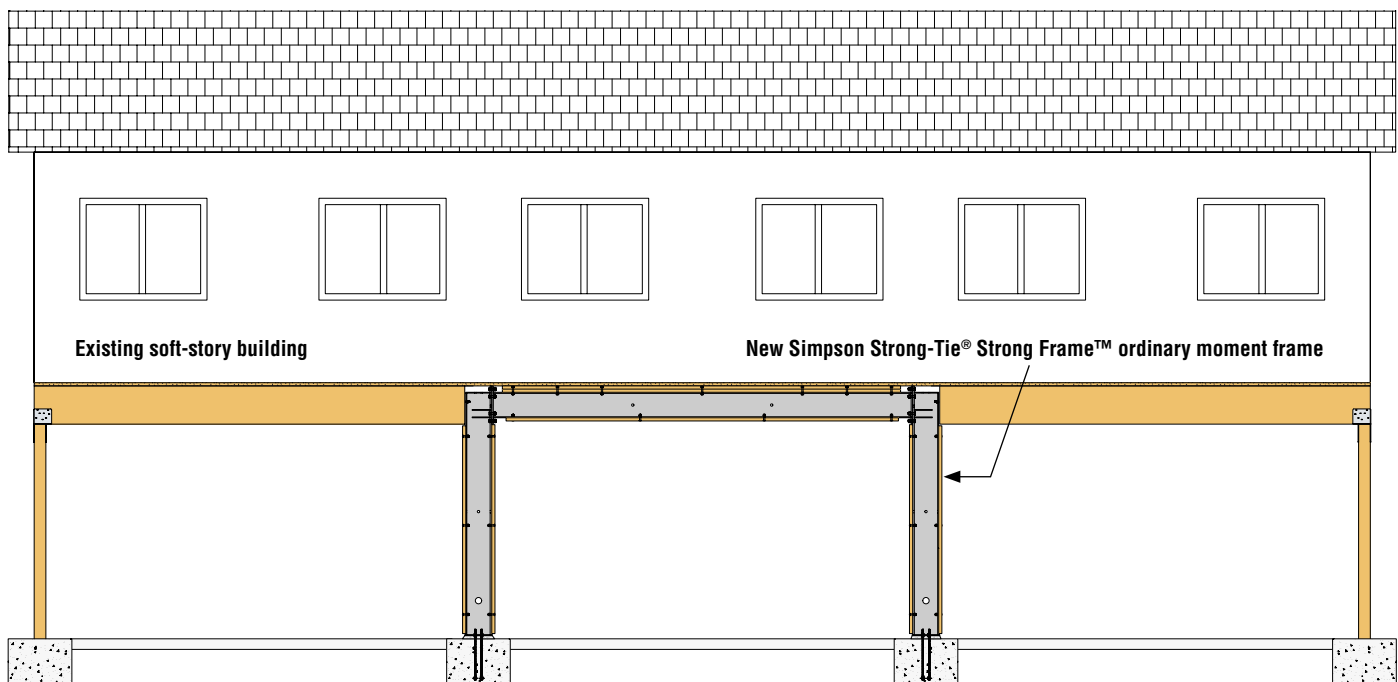
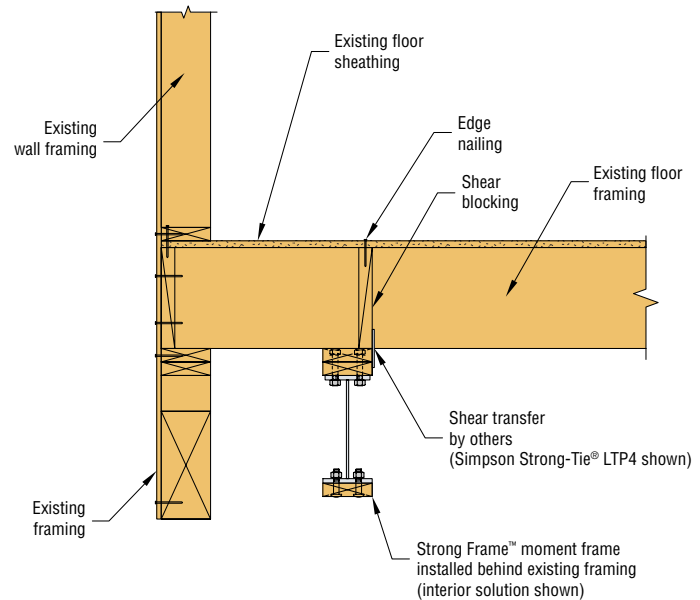
Retrofit Applications

Strong Frame Ordinary Moment Frame Retrofit Applications

The Strong Frame™ ordinary moment frame is an excellent option for retrofitting a moment frame into an existing structure. And with our new expanded range of standard as well as custom sizes, we can provide a moment frame for practically any field condition. It is the installer's responsibility to safely and adequately temporarily shore the existing structure per OSHA and jurisdictional recommendations during the moment frame installation process. Check with the local building department for requirements.

Suggested Installation Instructions for Retrofit Applications

1. Install anchorage into the footing per the Designer's specifications.
2. Install $\frac{5}{8}$ " heavy hex nuts onto the anchors, lowering them all the way down to the concrete. These will be used to level the frame.
3. Place the Strong Frame™ columns onto the anchors so that they sit on the leveling nuts.
4. Plumb both columns, and install temporary bracing on each, perpendicular to the building line. Install the remaining $\frac{5}{8}$ " heavy hex nuts, finger-tight against the base plate.
5. Raise the Strong Frame beam straight up between the two columns until the tops of the connection plates are flush. The interior column wood nailers may need to be removed and replaced after the beam is in place.
6. Bolt the beam to the columns using $\frac{7}{8}$ " A325 high-strength bolts and washers (included). DTI washers are also included and should be used where required. Fully tighten the nuts with a wrench, tightening all the bolts on one side of the beam, and then the other. (See page 15.)
7. Rotate the nuts on the base plate to the top of the anchors and, working from side to side, raise the leveling nuts until the moment frame top plate is at proper elevation.
8. Making sure that all leveling nuts are fully seated against the bottom of the base plate, fully tighten the baseplate nuts ($\frac{1}{2}$ turn past finger tight). Install non-shrink grout per instructions.
9. Re-install the ordinary moment frame column wood nailers using carriage bolts, if removed.



Notes: This schematic is intended to illustrate one option for utilizing Strong Frame™ ordinary moment frame in a soft-story retrofit of a typical tuck-under parking application. Not all details for a complete design are shown, nor is this the only way to accomplish such a retrofit. Structural analysis must be performed by a qualified design professional. See installation details.