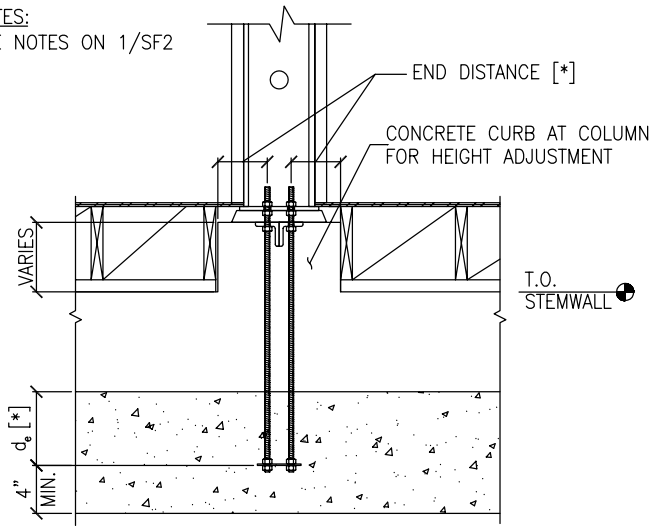
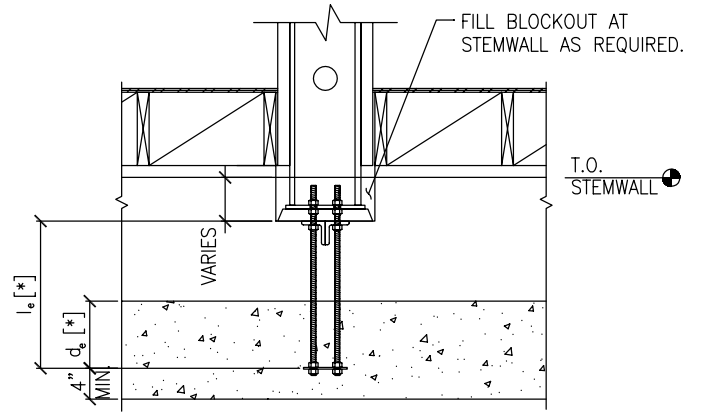


Ordinary Moment Frame: Installation Details

NOTES:
SEE NOTES ON 1/SF2



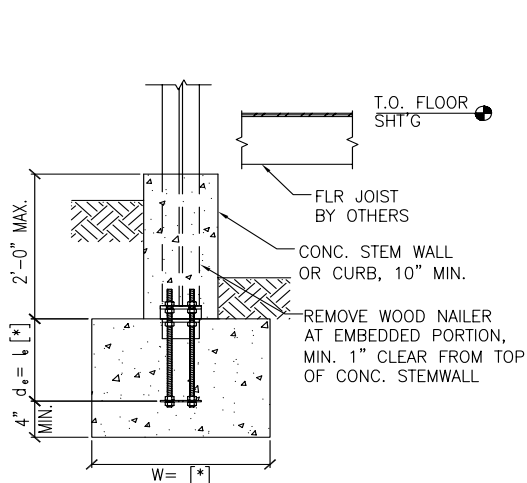
A. RAISED CURB AT STEMWALL



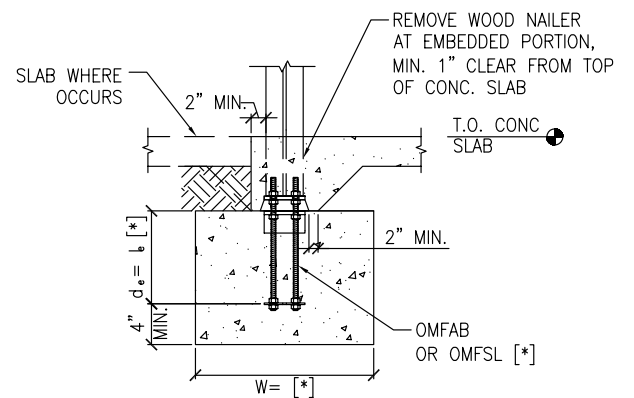
B. RECESSED COLUMN AT STEMWALL

COLUMN HEIGHT ADJUSTMENT AT STEMWALL FOOTINGS

6/SF2



NOTES:
SEE NOTES ON 1/SF2



NOTES:
SEE NOTES ON 1/SF2

DEPRESSED COL. AT STEMWALL

7/SF2

DEPRESSED COL. AT S.O.G.

8/SF2