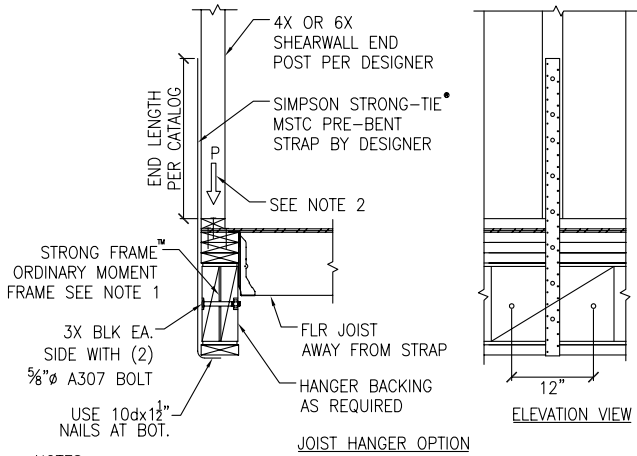
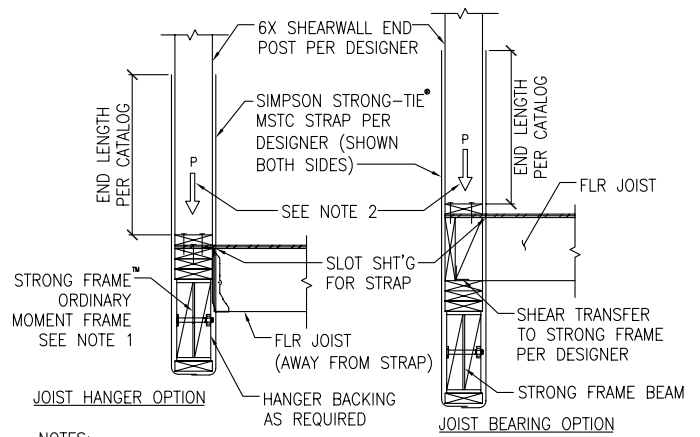


# Ordinary Moment Frame: Installation Details



**NOTES:**

1. SEE 12/SF3 FOR ALLOWABLE PENETRATION IN STEEL BEAM AND COLUMN
2. DESIGNER TO VERIFY TOTAL BEAM LOADING INCLUDING REACTION "P" DOES NOT EXCEED "W<sub>max</sub>" VALUE PER CATALOG



**NOTES:**

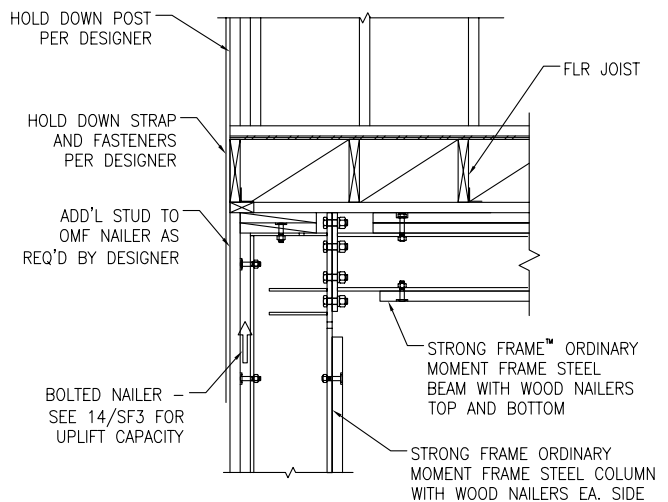
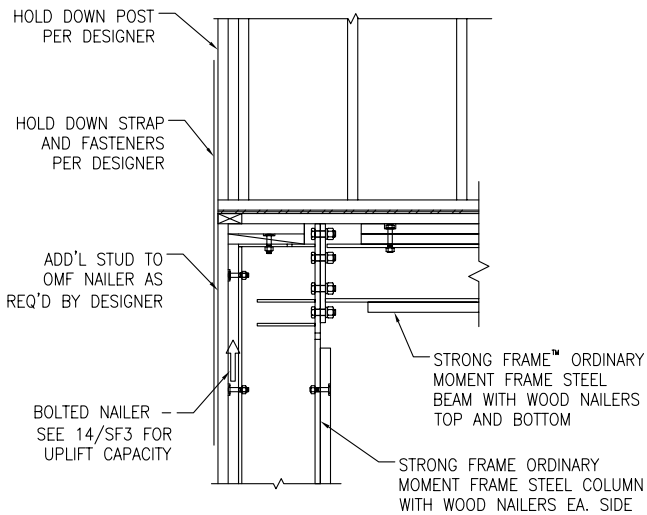
1. SEE 12/SF3 FOR ALLOWABLE PENETRATION IN STEEL BEAM AND COLUMN
2. DESIGNER TO VERIFY TOTAL BEAM LOADING INCLUDING REACTION "P" DOES NOT EXCEED "W<sub>max</sub>" VALUE PER CATALOG
3. SEE 1/SF3 FOR INFO NOT NOTED

**HOLDOWN POST TO STRONG FRAME™ BEAM**

**1/SF3**

**6x HOLDOWN POST TO STRONG FRAME™ BEAM**

**2/SF3**



**HOLDOWN POST TO STRONG FRAME™ COLUMN**

**3/SF3**

**HOLDOWN POST TO STRONG FRAME™ COLUMN**

**4/SF3**