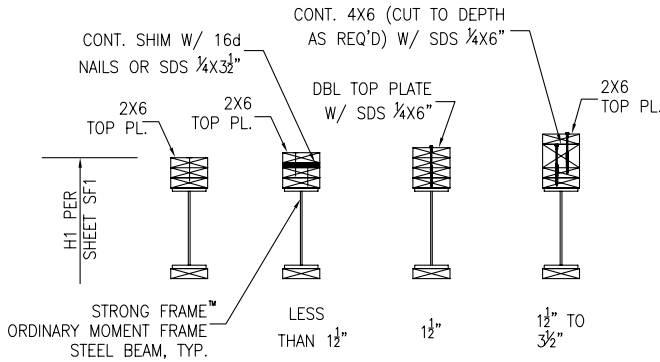
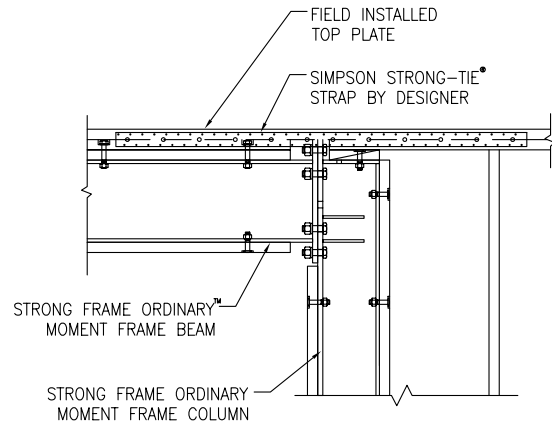


Ordinary Moment Frame: Installation Details

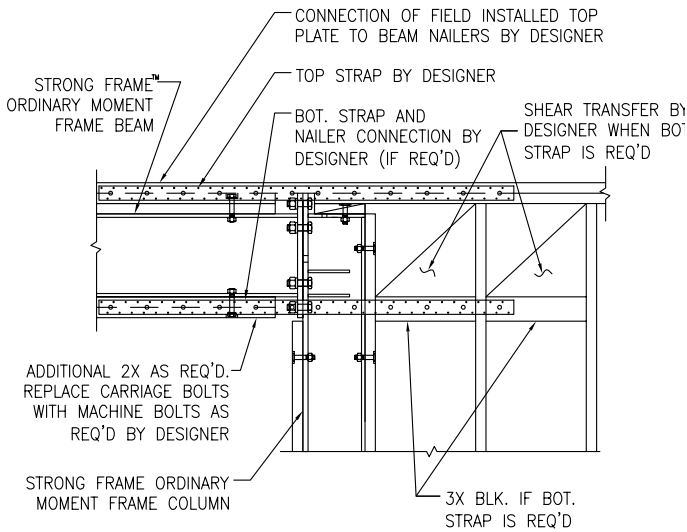


NOTES:

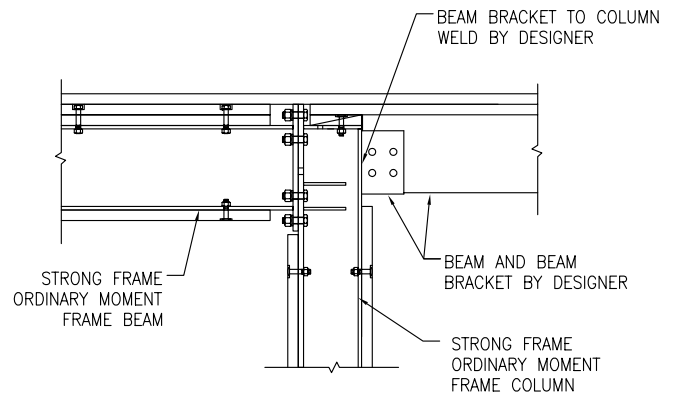
1. FASTENER SPACING BETWEEN STRONG FRAME™ ORDINARY MOMENT FRAME BEAM DOUBLE 2X NAILER AND OP PLATE/SHIM/4X PER DESIGNER.
2. TOP OF CONCRETE TO TOP OF FIELD INSTALLED TOP PLATE HEIGHT (H1) CAN ALSO BE ADJUSTED BY THE USE OF THICKER NON-SHRINK GROUT (2" MAX), OR USE NEXT NOMINAL HEIGHT MODEL AND LOWER THE STEM WALL OR FOOTING (SEE SF2 FOR DETAILS)



TOP OF FRAME ADJUSTMENT	5/SF3	TOP PLATE SPLICE DETAIL	6/SF3
--------------------------------	--------------	--------------------------------	--------------



A: STRAP TO STEEL BEAM



B: CONNECT TO STEEL COLUMN

COLLECTOR DETAILS	7/SF3
--------------------------	--------------