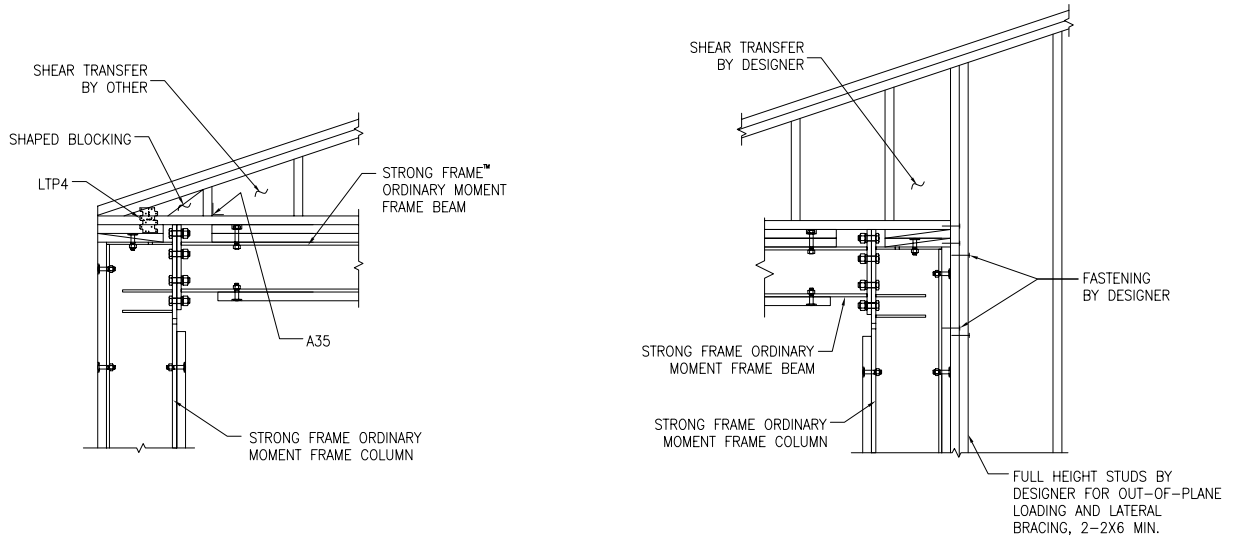
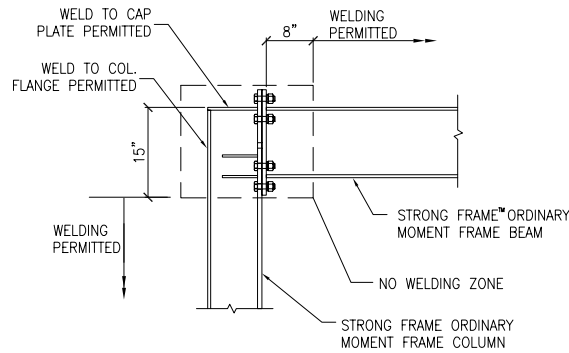


# Ordinary Moment Frame: Installation Details



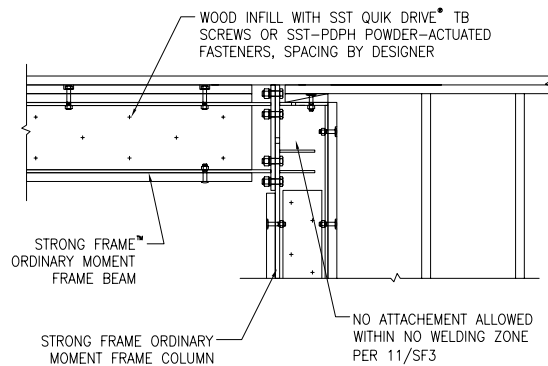
## RAKE WALL DETAILS

10/SF3



## WELDING LIMITS

11/SF3



NOTE:  
1. SEE C-2009 FOR TB SCREWS AND C-SAS-2009 FOR PDPH FASTENERS.

## WOOD INFILL

13/SF3