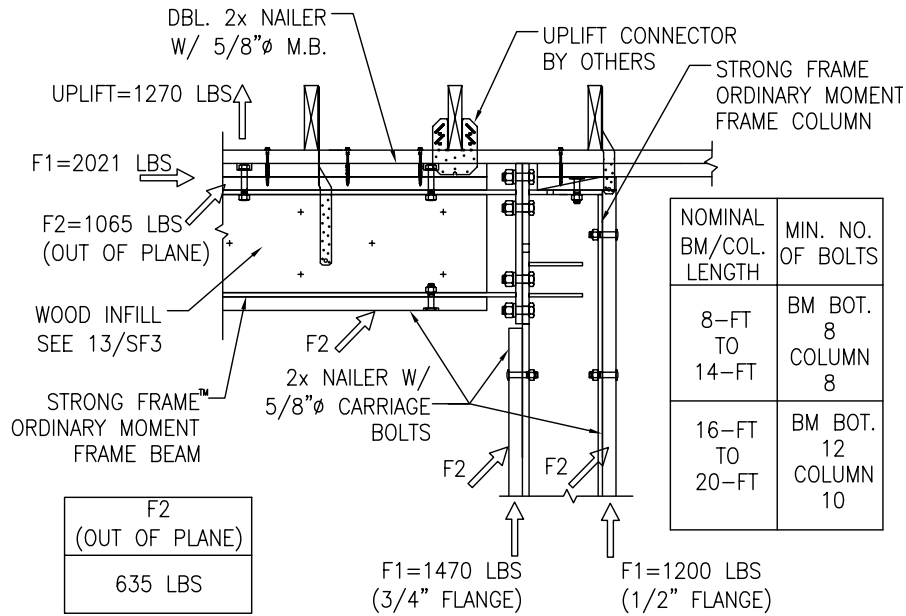


Ordinary Moment Frame: Installation Details

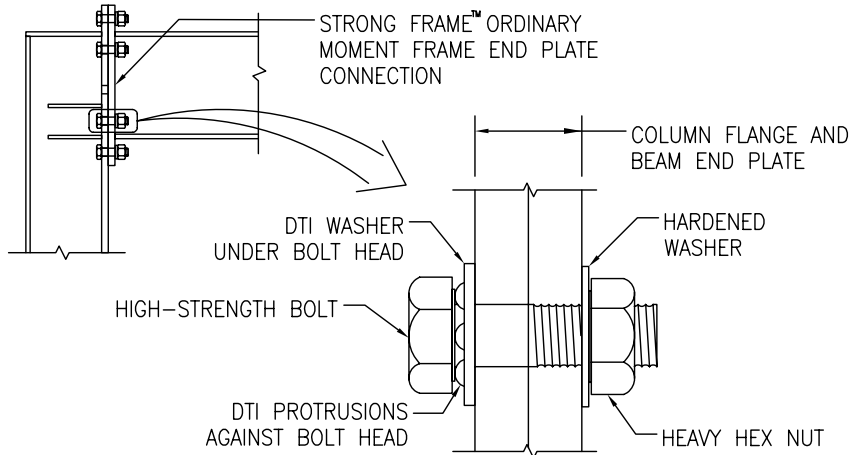


NOTES:

1. WOOD NAILERS ARE DOUGLAS-FIR LARCH NO. 2 GRADE.
2. ALLOWABLE LOADS LISTED ARE FOR ONE BOLT.

NAILER BOLT ALLOWABLE LOADS

14/SF3



NOTES:

1. INSTALL BOLTS AND TIGHTEN IN ACCORDANCE WITH INSTALLATION INSTRUCTIONS PROVIDED WITH EACH FRAME.
2. THE TYPE OF JOINT (SNUG-TIGHT OR PRETENSIONED) MUST BE DETERMINED BY THE DESIGNER AND SHOWN ON THE PLANS.
3. DRAW PLATES TOGETHER UNTIL THEY ARE IN FIRM CONTACT BY TIGHTENING BOLTS. GAPS AWAY FROM THE BOLT HEADS ARE PERMITTED. IF CONNECTION PLATES CAN NOT BE DRAWN TOGETHER SUFFICIENTLY, SHIMS ARE REQUIRED. TOTAL THICKNESS OF SHIMS UNDER A BOLT HEAD MUST NOT EXCEED 1/4".

BEAM-COLUMN CONNECTION

15/SF3