

SSTBility

SIMPSON
Strong-Tie
CONNECTORS

Sure Grip Alignment System



NEW
and
IMPROVED



ANCHORMATE™

- No nut required to hold bolt in place.
- Holds each bolt in the exact same location and height.
- Color coded for easy size identification. Blue - 5/8"; Green - 7/8"
- Reusable and cost efficient.
- Built for 2x4 or 2x6 mudsill placement.

U.S. Patent 6,065,730

ABS Anchor Bolt Stabilizer

- Stabilizes the SSTB during concrete pour.
- Installs with one 8d duplex nail.
- ABS5/8 and ABS7/8 are sized for 2x4 or 2x6 bottom plates.
- Thin section limits the effect of a cold joint.
- Color coded to match AnchorMate. Blue - 5/8"; Green - 7/8"

U.S. Patent Pending

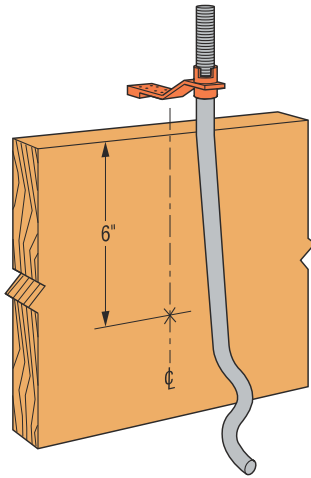


Use Blue 5/8" System with SSTB16, 20, 24
Use Green 7/8" System with SSTB28, 34, 36

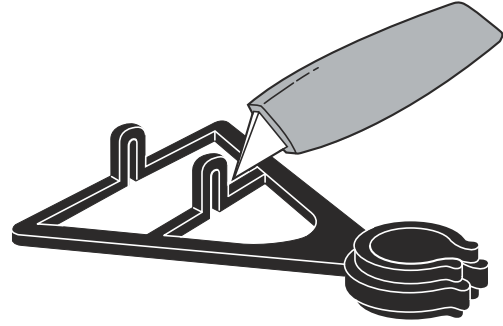
**THE SURE GRIP ALIGNMENT SYSTEM
HELPS TO ELIMINATE COSTLY CALL BACKS
AND RETROFITS!**

SIMPSON**Strong-Tie**
CONNECTORS**SSTBILITY SURE GRIP**
ALIGNMENT SYSTEM

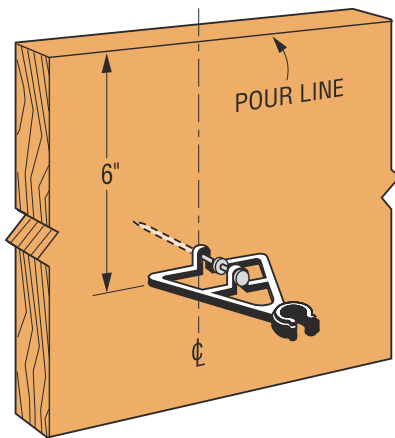
- 1** Slip SSTB into AnchorMate. Place AnchorMate on top of form to mark ABS location, 6" below top of pour.



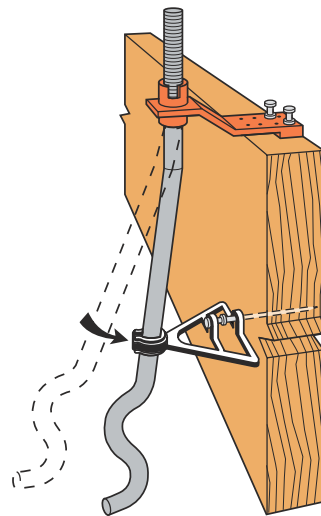
- 2** For 2x4 sill plate, cut ABS. For 2x6 sill plate, no cut required.



- 3** Attach ABS to form board with one 8d duplex nail approximately 6" below pour line. Keep ABS centered with AnchorMate. View shows 2x6 sill application.



- 4** Attach AnchorMate to form board using two 8d duplex nails and snap SSTB into ABS.



This flier reflects information available as of December 1, 2002. This information is updated periodically; contact Simpson for current information.

SIMPSON STRONG-TIE COMPANY, INC.**Home Office**

4120 Dublin Blvd., #400
Dublin, CA 94568
FAX: 925/833-1496

Northwest Region

5151 S. Airport Way
Stockton, CA 95206 and
1450 Doolittle Dr.
San Leandro, CA 94577
FAX: 209-234-3868

Southwest Region

260 N. Palm St.
Brea, CA 92821
FAX: 714/871-9167

Southeast Region

1720 Couch Dr.
McKinney, TX 75069
FAX: 972/542-5379

Northeast Region

2600 International St.
Columbus, OH 43228
FAX: 614/876-0636

Canada

5 Kenview Blvd.
Brampton, Ontario L6T5G5
FAX: 905/458-7274

Warehouses and Manufacturing: • Jacksonville, Florida • Enfield, Connecticut • Kent, Washington • Addison, Illinois • Surrey, British Columbia

U.S. and Canada Toll Free Number: 800/999-5099
www.strongtie.com

© Copyright 2002 SIMPSON STRONG-TIE CO., INC. Form F-SSTBILITY02-R 12/02
Printed in U.S.A. 